

Detroit Speed
 Selecta-Speed™ Wiper Kit
 Universal Application
 P/N: 121101

A downpour of rain will no longer hinder your ability to clearly see the road. This kit provides you with the performance and convenience of a late model wiper system in a package that easily and cleanly mounts in your vehicle.

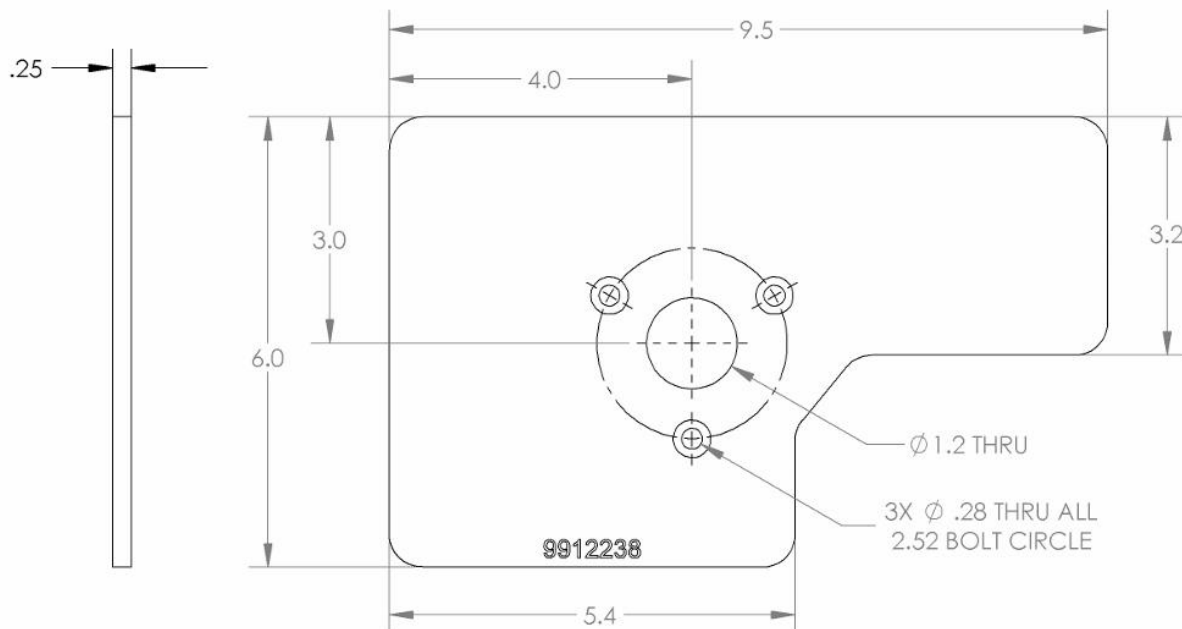


Item #	Description	Quantity
1	Wiper Motor Assembly w/ Adapter Plate	1
2	Wiper Control Module	1
3	Wiper Harness	1
4	Wiper Switch Assembly	1
5	Wiper Knob w/ Set Screw	1
6	Wiper Switch Bezel	1
8	Pitman Arm	1
9	Pitman Arm Nut (M12)	1
10	Instructions	1

This kit features a seven speed wiper system with five delays, low speed, and high speed. A CNC aluminum adapter plate can be mounted in a number of different ways to best suit your application. The new pitman arm, included in the kit, can also be easily adapted to your existing wiper linkage. A rotary switch with a billet aluminum knob is included, along with the complete wiring harness.

This kit does feature a washer pump option as the wiper switch does have a push button function. The wiring harness/control module is equipped with a power and ground wire to install an inline electric washer pump. Detroit Speed does offer a washer pump kit available as part number 121102.

Please review the basic dimensions of the plate before you begin the installation to make sure you have enough material to trim down the adapter plate to fit your vehicle (All Dimensions are in Inches).



Installation Instructions:

1. Before beginning, please ensure that the parts included with your kit match the parts list above. Ensure that the factory wiper system is in its "Parked" position. Disconnect the battery power by removing the negative battery lead from the battery. Mark the position of the wiper arms by placing masking tape on the windshield. This will assure the arms are accurately replaced.
2. Remove the wiper arms, washer hoses and depending on application it may be required to remove cowl panel from vehicle to gain access to the pitman arm.
3. Disconnect the wiper linkage from the wiper motor pitman arm and remove the stock wiper motor from the firewall. Note the location of the stock pitman arm as the new pitman arm should be positioned in the same location. If it's located at the 9 o'clock position you will want to install the new pitman arm at the 9 o'clock position with the motor installed on the firewall.

4. The original wiring will not be used with the new Selecta-Speed wiper kit. A custom harness is provided to replace the original. **NOTE: If you decide to cut the old wires please pay special attention to properly terminate the wire ends to avoid possible shorting.**
5. Mount the new wiper motor to the firewall. The universal mounting plate is made oversized so it can be adapted to several applications. Attach the new pitman arm to the original wiper linkage. **NOTE: The pitman arm is not shipped on the motor, once the motor has been mounted install the pitman arm. Once the pitman arm has been installed tighten the M12 pitman arm nut to 4 ft-lbs. PLUS a 1/2 (180°) turn clockwise.**
6. Remove the stock wiper switch from the dash. The Selecta-Speed switch will replace the stock switch.
7. Mount the switch in the dash (Figure 1a). Use the Detroit Speed supplied hardware to mount the switch in the original dash location, if desired.

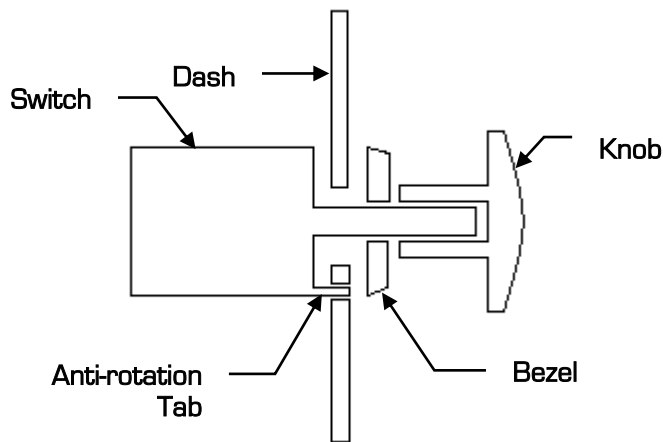


Figure 1a - Side View

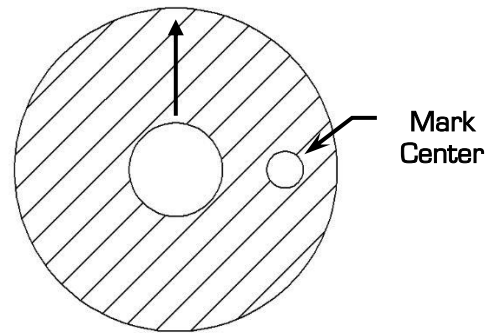


Figure 1b - Switch Mounting Template

8. Cut the template out (Figure 1b) and place it over existing wiper switch hole in the dash. Make sure the arrow is pointed up. (12 o'clock position)
9. Mark the center of the unshaded area on the template on the dash.
10. Remove the template and drill a 5/32" hole in the dash to accommodate the anti-rotation tab of the switch (Figure 2).



Figure 2 - Drill Anti-Rotation Hole

LEAVE THIS PAGE BLANK

11. Install the wiper switch in the dash (Figure 3). Make sure the anti-rotation tab on the switch passes through the hole in the dash that you drilled in step 10. Thread the bezel onto the switch shaft and tighten by hand to hold the switch in place on the dash (Figure 4).



Figure 3 - Install Wiper Switch



Figure 4 - Thread Bezel onto Switch

12. Slide the wiper knob onto the switch shaft. Align the set screw with the flat on the switch shaft and tighten (Figure 5). **NOTE:** Make sure the set screw locks onto the flat on the switch shaft.



Figure 5 - Wiper Switch/Knob Installation

13. If the wire harness passes through the firewall please continue with Step 13. If not, then proceed to Step 15. Route the wiper motor connector side of the wiring harness (Figure 6 on the next page) through the firewall using an existing hole. You may need to open up the diameter of this hole using a 1-1/8" drill bit or Uni-Bit in order to allow the wiper motor connector to pass through the firewall. If no existing hole is available in the firewall, a 1-1/8" diameter hole needs to be drilled in the firewall prior to installing the grommet.



Figure 6 – Wiper Motor Connector

14. Once there is enough of the loom through the firewall to connect to the wiper motor, move the grommet on the loom and install it into the firewall to seal the engine compartment from the inside of the vehicle.
15. Install the wiper motor connector to the wiper motor.
16. The Detroit Speed Selecta-Speed harness does include a weather pack connector to install an optional electric inline washer pump into your vehicle (Figure 7). DSE does offer a washer pump kit you can purchase separately as part number 121102.

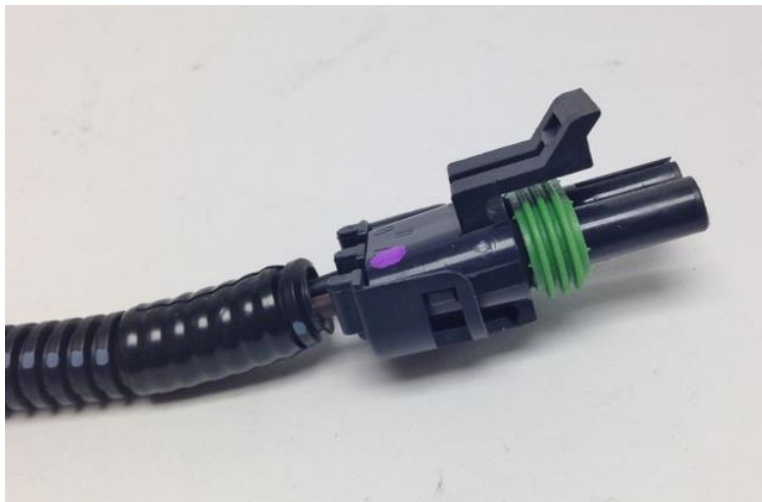


Figure 7 – Washer Pump Connection

17. If you have purchased the Detroit Speed washer pump kit, use the instructions from that kit to complete the washer pump kit installation. If you do not want to use the washer pump feature, you can tie wrap this connector/loom up under the dash.
18. Mount the wiper control module under the dash where you are able to reach the switch and wiring harness connectors. Install the 10-pin connector of the wiring harness into the wiper control module. Install the 4-pin connector from the wiper switch and install it into the control module (Figure 8 on the next page).



Figure 8 – Connect Wiper Switch & Harness to Module

19. Connect the yellow wire to a 12V ignition or accessory switched source. [Circuit is active when the key is in the run position]. This lead is supplied with an inline 30 amp ATO fuse.
20. Connect the black wire with the round eyelet to a ground under the dash. Make sure a proper ground is obtained by removing any rust or paint from the metal.
21. Connect the negative battery lead and test wiper system. The conversion is now complete.

NOTE: In some cases high energy ignition systems have caused interference with the correct operation of the Selecta-Speed Wiper Kit due to spark plug wires routed closely to the wiper motor. If this occurs, re-routing your spark plug wires may be necessary.

If you have any questions before or during the installation of this product, please contact Detroit Speed at tech@detroitsspeed.com or 704.662.3272

Legal Disclaimer: Detroit Speed is not liable for personal, property, legal, or financial damages from the use or misuse of any product we sell. The purchaser is solely responsible for the safety and performance of these products. No warranty is expressed or implied.