



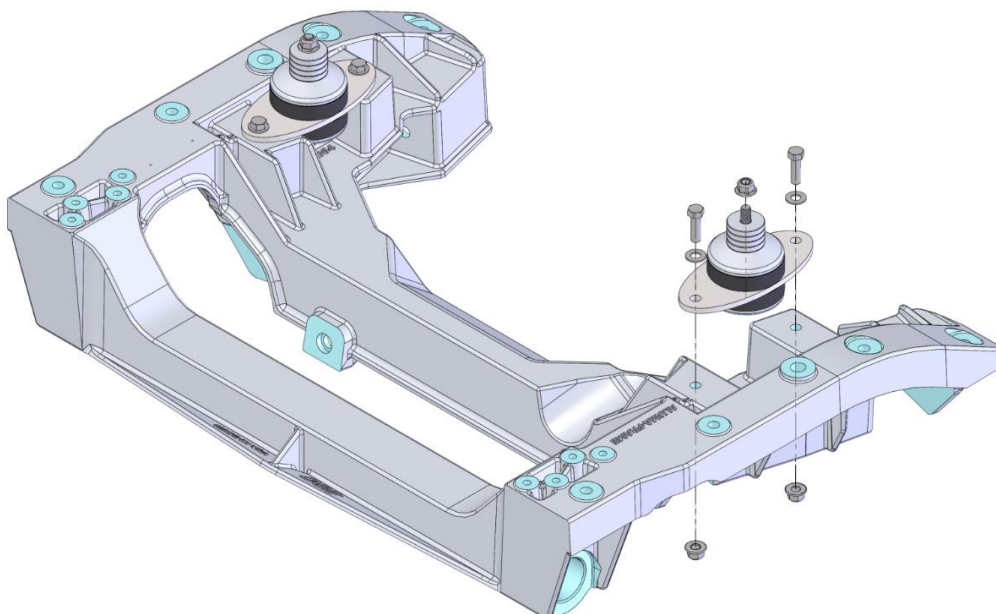
**Detroit Speed**  
**Aluma-Frame Adjustable Engine Mount Isolator Kit**  
**1964.5-70 Mustang**  
**P/N: 060425DS**

Thank you for your purchase of the Detroit Speed Adjustable Aluma-Frame Engine Mount Isolator Kit. These isolators are designed to minimize the transmission of drivetrain vibrations while providing secure mounting for your engine. They are adjustable in 1/4" increments from 1/4" higher than standard height to 1" lower.



Item	Description	Quantity
1	Adjustable Engine Mount Isolator Assembly	2
2	3/8"-16 x 1-1/2" L Hex Head Bolt	4
3	3/8"-16 Hex Flange Locknut	4
4	3/8" SAE Washer	4
4	Instructions	1

Install the Engine Mount Isolators on the Aluma-Frame with the provided 3/8" bolts, washers, and locknuts as shown in Figure 1 and torque to 30 ft-lbs. Once the engine is installed, torque the M10 locknuts on the isolator assemblies to 30 ft-lbs.



**Figure 1**

## Engine Mount Adjustment

If the mounts are going to be used in conjunction with a Detroit Speed engine mount kit, it is recommended that the isolators remain at the standard height (Figure 2). All DSE engine mount kits are designed for the engine mount isolators to be installed at the standard height. For some custom installations, the engine mount height can be adjusted if needed.

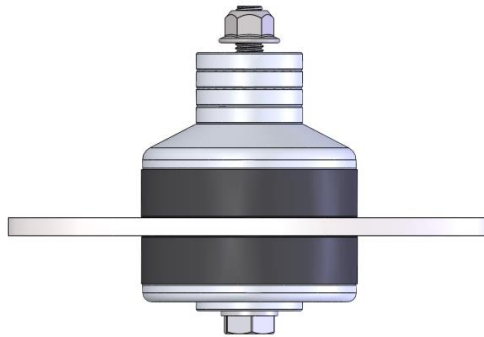


Figure 1: Standard Height-Four spacers on the top and one spacer on the bottom.

**To Lower the Engine:** In order to lower the engine height, remove the desired number of spacers from the engine mount isolator assemblies (Figure 3). Each spacer is 1/4" tall, so the engine can be lowered up to 1" in 1/4" increments.

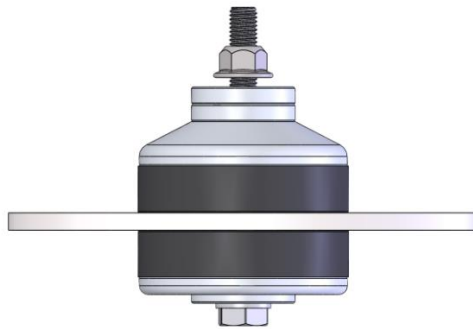


Figure 2: Two top spacers removed-1/2" lower.

**To Raise the Engine:** In order to raise the engine, the 1/4" spacer at the bottom of the mount needs to be moved to the top resulting in a 1/4" increase in height (Figure 4). Disassemble the mount by holding the top cap with a spanner wrench or other suitable tool and loosen the M10 bolt on the bottom of the mount. Remove the 1/4" spacer from the bolt and then reassemble the mount. Torque the bolt to 30 ft-lbs. Add the spacer that was removed from the bottom of the mount to the stack of spacers on the top of the mount.

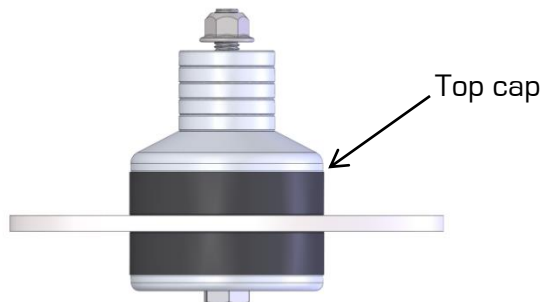


Figure 3: Bottom spacer moved to top-1/4" higher.

If you have any questions before or during the installation of this product, please contact Detroit Speed at [tech@detroitsspeed.com](mailto:tech@detroitsspeed.com) or 704.662.3272

**Legal Disclaimer:** Detroit Speed is not liable for personal, property, legal, or financial damages from the use or misuse of any product we sell. The purchaser is solely responsible for the safety and performance of these products. No warranty is expressed or implied.