

Detroit Speed
Aluma-Frame LS Engine Mount Kit
1964.5-70 Mustang
P/N: 060423DS

Thank you for your purchase of the Detroit Speed Adjustable Aluma-Frame LS Engine Mount Kit. This kit will enable you to easily bolt-in late model LS Engines into your Aluma-Frame. It will locate the crank centerline, and engine mounting angle (3° down in the rear measured from the crank centerline) of your LS Engine in the same position as the stock engine. The bellhousing mounting surface will be located 1-1/2" rearward of the original engine location for oil pan clearance and improved weight distribution.



Item	Description	Quantity
1	LS Engine Mount Bracket, Left	1
2	LS Engine Mount Bracket, Right	1
3	Adjustable Engine Mount Isolator Assembly	2
4	M10-1.5 x 25mm Flanged Hex Bolt	8
5	3/8"-16 x 1-1/2" L Hex Head Bolt	4
6	3/8"-16 Hex Flange Locknut	4
7	3/8" SAE Washer	4

Install the left and right hand engine mount brackets to the block with the provided M10 flange bolts as shown in Figures 1 and 2 on the next page using a medium strength thread locker (Loctite 242 or equivalent) on the threads. The left hand bracket can be identified by the scallop that is cut out of the rear flange. Torque the bolts to 30 ft-lbs. Refer to the DSE Aluma-Frame Adjustable Engine Mount Isolator Kit Instructions for their installation.

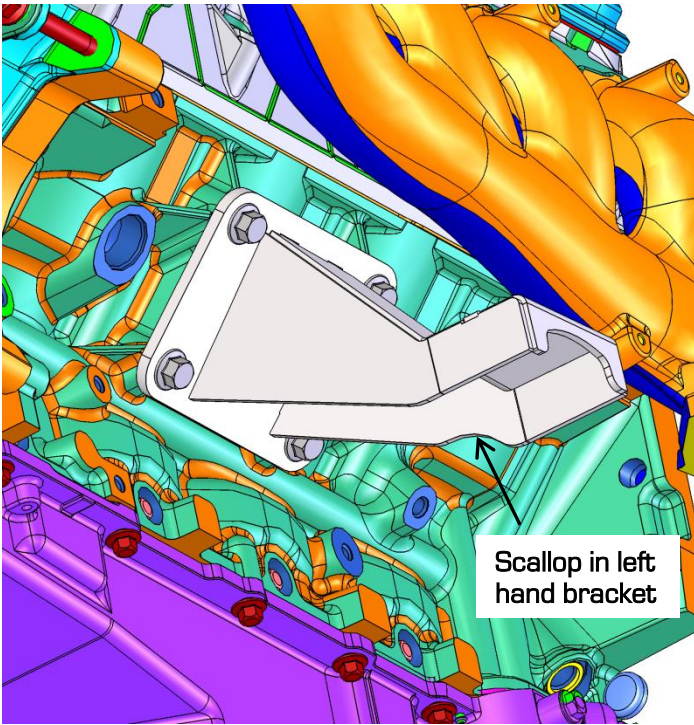


Figure 1 - Left-Hand Bracket Installation

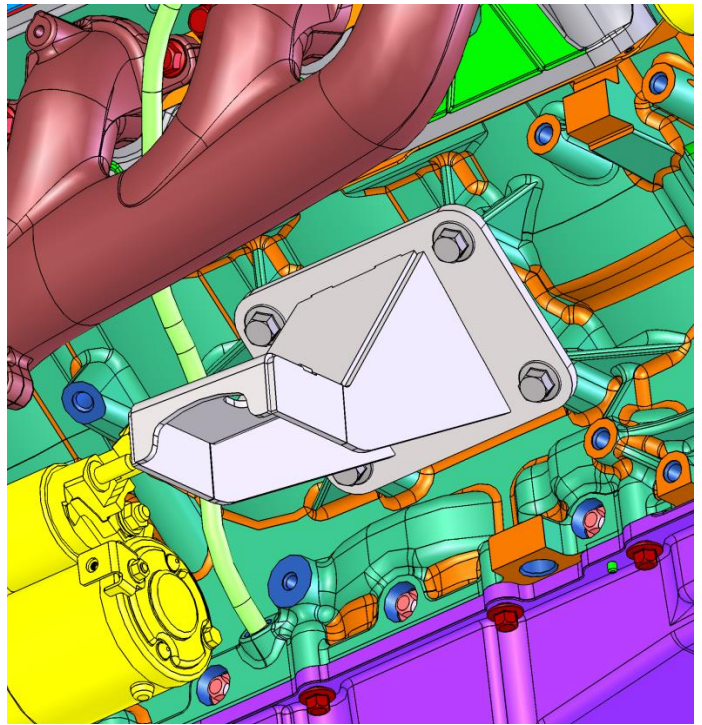


Figure 2 - Right-Hand Bracket Installation

The Aluma-Frame adjustable engine mount isolators are designed to minimize the transmission and drivetrain vibrations while providing secure mounting for your engine. They are adjustable in 1/4" increments from 1/4" higher than standard height to 1" lower.

Install the Engine Mount Isolators on the Aluma-Frame with the provided 3/8" bolts, washers, and locknuts as shown in Figure 3 and torque to 30 ft-lbs. Once the engine is installed, torque the M10 locknuts on the isolator assemblies to 30 ft-lbs.

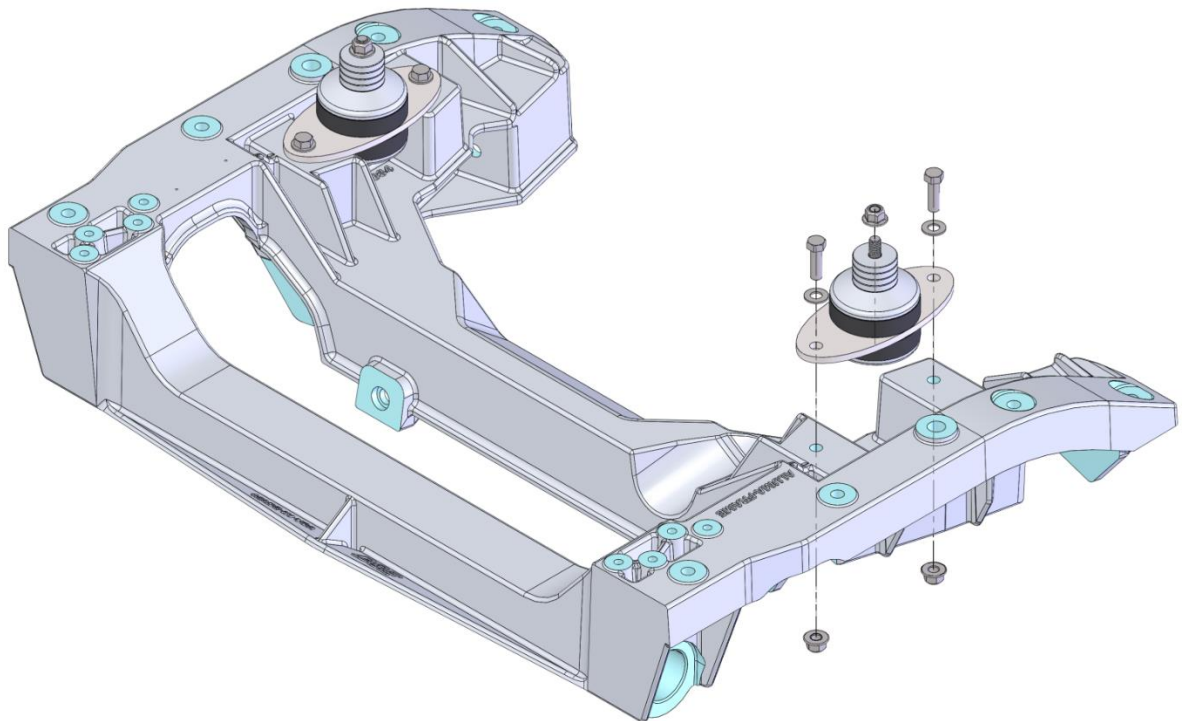


Figure 3

Engine Mount Adjustment

If the mounts are going to be used in conjunction with a Detroit Speed engine mount kit it is recommended that the isolators remain at the standard height (Figure 4). All DSE engine mount kits are designed for the engine mount isolators to be installed at the standard height. For some custom installations, the engine mount height can be adjusted if needed.

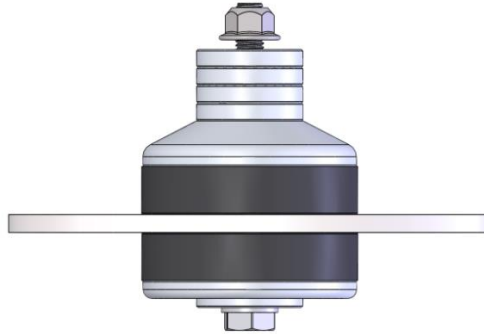


Figure 4 - Standard Height-Four spacers on the top and one spacer on the bottom.

To Lower the Engine: In order to lower the engine height, remove the desired number of spacers from the engine mount isolator assemblies (see Figure 5). Each spacer is 1/4" tall, so the engine can be lowered up to 1" in 1/4" increments.

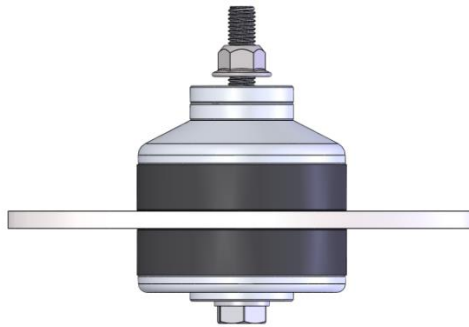


Figure 5 - Two top spacers removed-1/2" lower.

To Raise the Engine: In order to raise the engine, the 1/4" spacer at the bottom of the mount needs to be moved to the top resulting in a 1/4" increase in height (see Figure 4). Disassemble the mount by holding the top cap with a spanner wrench or other suitable tool and loosen the M10 bolt on the bottom of the mount. Remove the 1/4" spacer from the bolt and then reassemble the mount. Torque the bolt to 30 ft-lbs. Add the spacer that was removed from the bottom of the mount to the stack of spacers on the top of the mount.

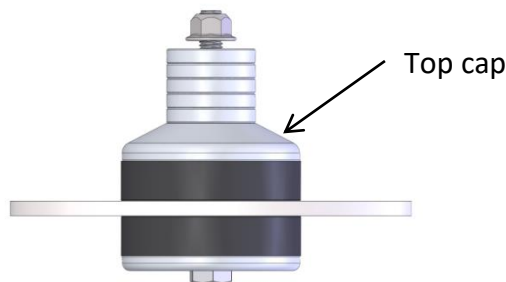


Figure 6 - Bottom spacer moved to top-1/4" higher.

If you have any questions before or during the installation of this product, please contact Detroit Speed at tech@detroitsspeed.com or 704.662.3272

Legal Disclaimer: Detroit Speed is not liable for personal, property, legal, or financial damages from the use or misuse of any product we sell. The purchaser is solely responsible for the safety and performance of these products. No warranty is expressed or implied.