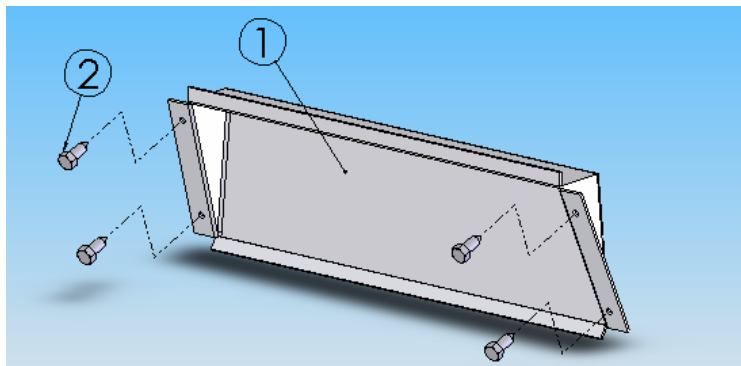




Detroit Speed
Vintage Air Controller Mount
 1967-68 Camaro/Firebird
 P/N: 011005DS & 011005TDS

The Detroit Speed Vintage Air Controller Mount is designed for mounting Vintage Air controllers in the stock dash location. If you have purchased P/N: 011005DS (Blank), this mount can be used for custom controller applications. See the reference table below to match the Detroit Speed controller mount to the Vintage Air Controller:

Detroit Speed	Description	Vintage Air Controller P/N
011005DS	Blank	N/A
011005TDS	Gen IV Horizontal 3-Knob Controller	491210-RUA & 491223-RUA



Item	Description	Quantity
1	Controller Mount	1
2	8-18 x 1/2" Self Tapping	4
3	Instructions	1

1. Remove the stock trim panel. **NOTE:** It is attached from the rear of the panel).
2. Remove the original controller from the dash.
3. When using Detroit Speed P/N: 011005DS cut the required hole for mounting your custom controller on the face of the DSE controller mount.
4. Paint or finish the controller mount as desired.
5. Position the Detroit Speed controller mount from the backside of the dash.
6. Align the panel mounting holes with the original dash mounting holes.

7. Mount the controller with the provided hardware (four self-tapping screws).
8. Install the controller from the front side of the panel and mount to the backside of the panel with the hardware provided from Vintage Air, with your controller.



Figure 1 – Standard Horizontal Controller

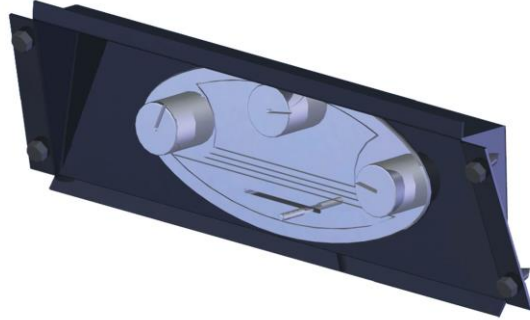


Figure 2 – Streamline Oval Controller

If you have any questions before or during the installation of this product, please contact Detroit Speed at tech@detroitsspeed.com or 704.662.3272

Legal Disclaimer: *Detroit Speed is not liable for personal, property, legal, or financial damages from the use or misuse of any product we sell. The purchaser is solely responsible for the safety and performance of these products. No warranty is expressed or implied.*