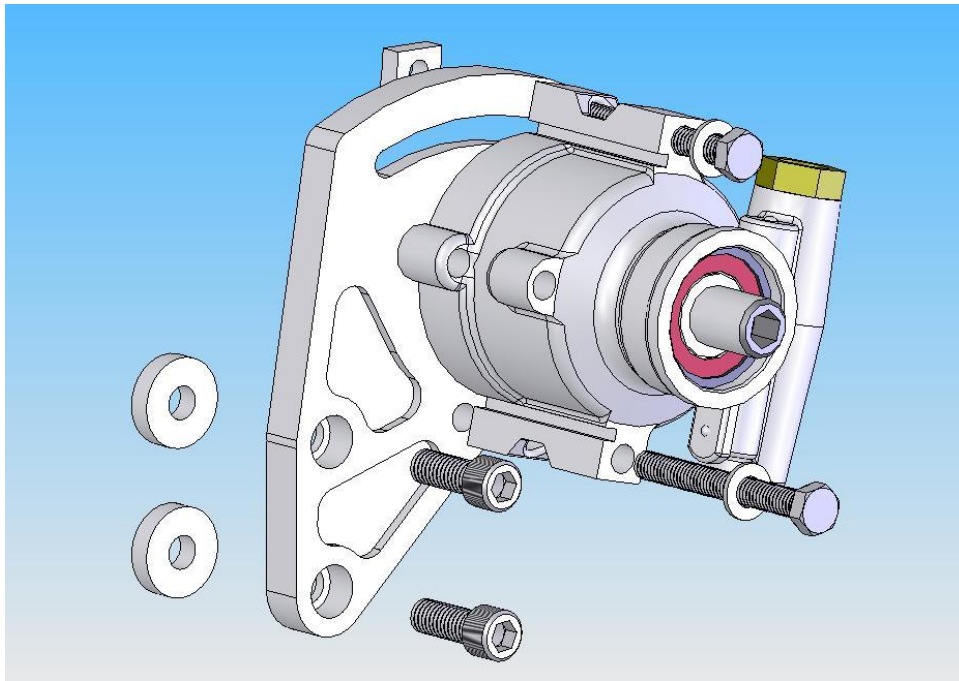


**Detroit Speed**  
**SBC Power Steering Pump Bracket**  
 P/N: 092101DS

The Detroit Speed Power Steering Pump Bracket allows simple installation of DSE's GM Type II power steering pump to Chevrolet small block engines. The bracket is CNC machined from 6061 billet aluminum and includes all hardware to attach the pump and bracket to your engine. This bracket is designed to work with many pulley configurations and a "short-style" water pump. Follow the instructions for installation and reference Figure 1 for assembly.

*Parts Included:*

QTY.	Components
1	Aluminum Power Steering Pump Bracket
1	Electroplated Slide Nut
2	3/8"-16 x 1" Socket Head Allen Black Oxide Bolts
2	5/16"-18 x 2 3/4" Grade 8 Bolts
2	5/16" AN Zinc Plated Washers
2	Aluminum Spacers (1" OD x 3/8" ID x 1/4")



**Figure 1 - Power Steering Pump Bracket Exploded Assembly View**

1. Thread the 3/8"-16 x 1" Socket Head Allen Black Oxide Bolts through the bracket and the spacers to attach the bracket to the two lower tapped accessory holes on the driver's side of the engine block. Tighten to 25 ft-lbs.
2. Attach the Power Steering Pump to bracket with the lower 5/16" pivot bolt.
3. Slide the upper bolt through the pump, passing it through the slot in the bracket and thread it into the slide nut. The slide nut fits in the recessed slot on the back of the bracket. Match the contours of slide nut with the contours of the slot.
4. Install the power steering pump belt and adjust the tension.
5. Tighten the 5/16" bolts to 19 ft-lbs. to hold the pump in position.

If you have any questions before or during the installation of this product, please contact Detroit Speed at [tech@detroitsspeed.com](mailto:tech@detroitsspeed.com) or 704.662.3272

**Legal Disclaimer:** *Detroit Speed is not liable for personal, property, legal, or financial damages from the use or misuse of any product we sell. The purchaser is solely responsible for the safety and performance of these products. No warranty is expressed or implied.*