

Detroit Speed
BBC Power Steering Pump Bracket
 P/N: 092102DS

The Detroit Speed Power Steering Pump Bracket allows simple installation of DSE's GM Type II power steering pump onto Chevrolet big block engines. The bracket is CNC machined from 6061 billet aluminum and includes all hardware to attach the pump and bracket to your engine. This bracket is designed to work with many pulley configurations and can be adapted to several different chassis applications.

Parts Included:

QTY.	Components
1	Aluminum Power Steering Pump Bracket
1	Electroplated Slide Nut
1	3/8"-16 x 2" Socket Head Allen Black Oxide Bolt
2	7/16"-14 x 2 1/4" Socket Head Allen Black Oxide Bolt
2	5/16"-18 x 2 3/4" Grade 8 Bolts
2	5/16" AN Zinc Plated Washers
2	Aluminum Spacers (1" OD x 7/16" ID x 1 1/4")
1	Aluminum Spacer (1" OD x 3/8" ID x 1 1/4")

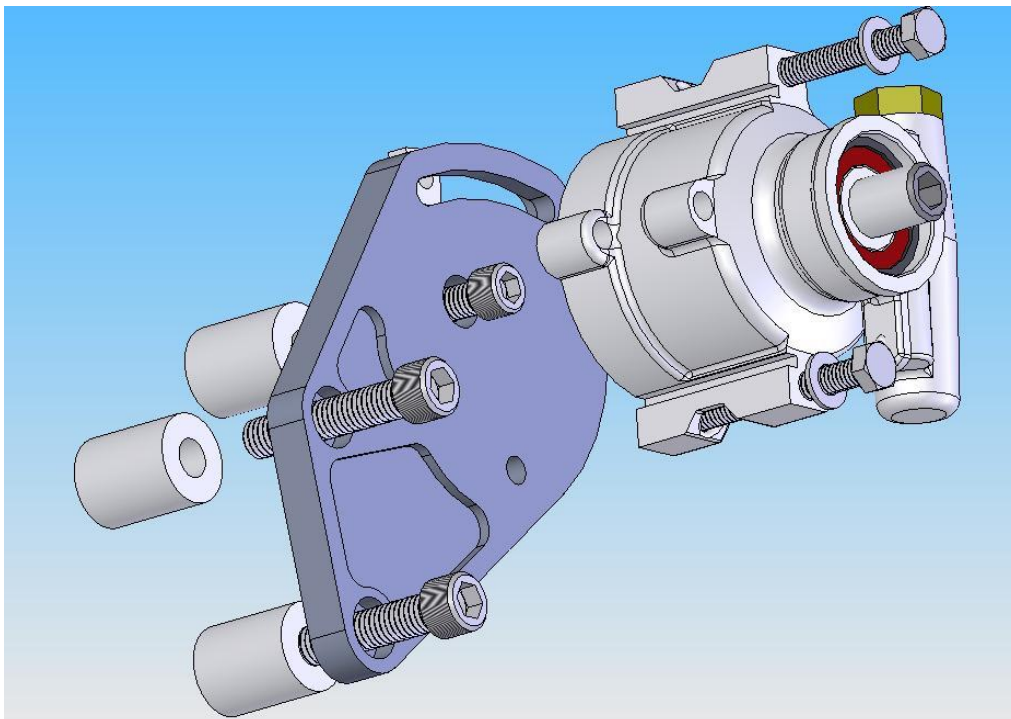


Figure 1 - Power Steering Pump Bracket Exploded Assembly View

1. Thread the 3/8"-16 x 2" Socket Head Allen Black Oxide Bolt through the upper right counter-bored hole and the 3/8" inside diameter spacer to attach the bracket to the upper right tapped accessory hole on the driver's side of the engine block. Tighten to 25 ft-lbs.
2. Thread the 7/16"-14 x 2 1/4" Socket Head Allen Black Oxide Bolts through the bracket and the 7/16" inside diameter spacers to attach the bracket to the two lower right tapped accessory holes on the driver's side of the engine block. Tighten to 25 ft-lbs.
3. Attach the Power Steering Pump to bracket with the lower 5/16" pivot bolt.
4. Slide the upper bolt through the pump, passing it through the slot in the bracket and thread it into the slide nut. The slide nut fits in the recessed slot on the back of the bracket. Match the contours of slide nut with the contours of the slot.
5. Install the power steering pump belt and adjust the tension.
6. Tighten the 5/16" bolts to 19 ft-lbs. to hold the pump in position.

If you have any questions before or during the installation of this product, please contact Detroit Speed at tech@detroitsspeed.com or 704.662.3272