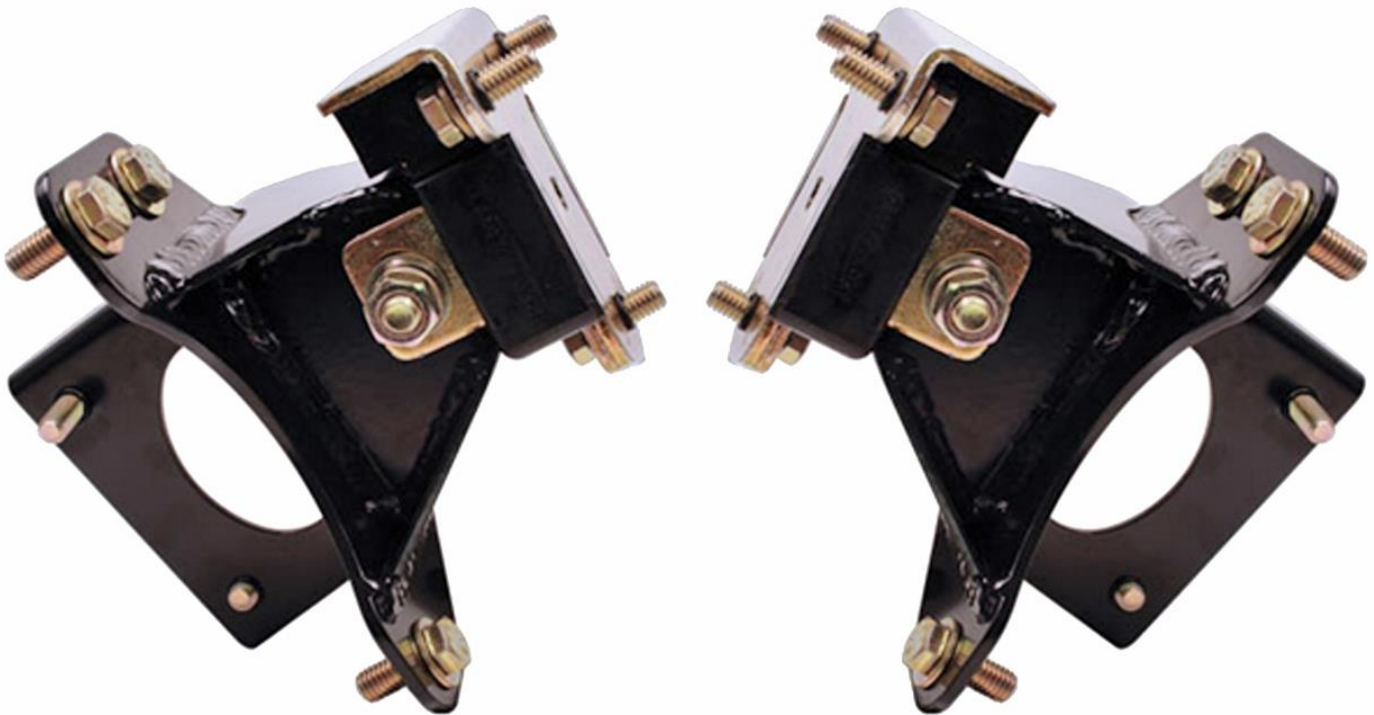


**Detroit Speed**  
**1970-1981 Camaro/Firebird SBC/BBC Engine Mount Kit**  
**Detroit Speed Hydroformed Subframe**  
**P/N: 060411DS**

The Detroit Speed SBC/BBC Engine Mount Kit provides an ideal mounting solution for installing either a Small Block Chevy or a Big Block Chevy into the Detroit Speed Hydroformed Subframe for the 1970-1981 Camaro/Firebird.



Item	Description	Quantity
1	Frame Stand, LH & RH	2
2	Polyurethane Engine Mount	2
3	3/8" - 16 x 3/4" L Hex Head Bolt	6
4	3/8" Lock Washer	6
5	3/8" - 16 x 1.0" Hex Head Bolt	10
6	3/8" Flat Washer	10
7	7/16" - 14 x 3.75" Hex Head Bolt	2
8	7/16" Flat Washer	4
9	7/16" Lock Washer	2
10	7/16" - 14 Hex Nut	2

Fastener Torque Specifications	
Application	Torque (ft./lbs.)
Engine Mount to Engine Block (Aluminum Block)	25
Engine Mount to Engine Block (Cast Iron Block)	35
Frame Stand to Detroit Speed Hydroformed Subframe	35
Frame Stand to Engine Mount	30

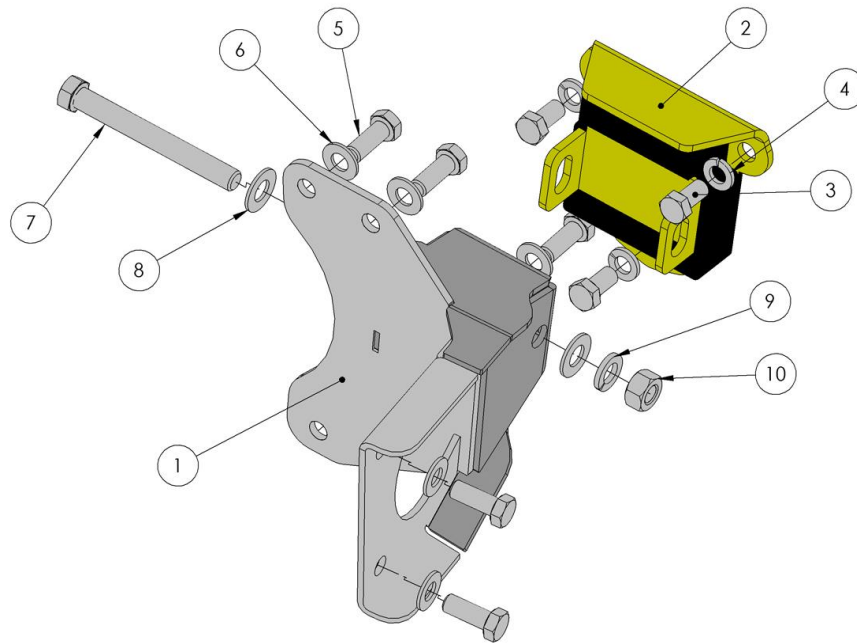


Figure 1 - Exploded View

1. Install the engine mounts on the engine block. Use three 3/8"-16 x 3/4" L (#3) bolts along with three 3/8" lock washers (#4) per mount. Use anti-seize on these bolts when installing and torque the bolts to 25 ft./lbs. on aluminum blocks and 35 ft./lbs. on cast iron blocks.
2. Attach the frame stands to the subframe using five 3/8"-16 x 1.0" L bolts (#5) along with five 3/8" flat washers (#6) per side. There is a LH and RH stand. Follow the picture in Figure 2 for proper orientation. Use High Strength Red Loctite (P/N: 262) on these bolts when installing and torque the bolts to 35 ft./lbs.

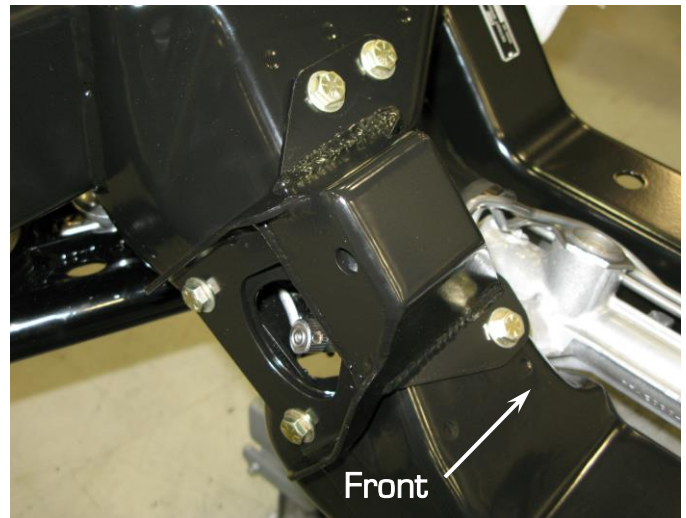
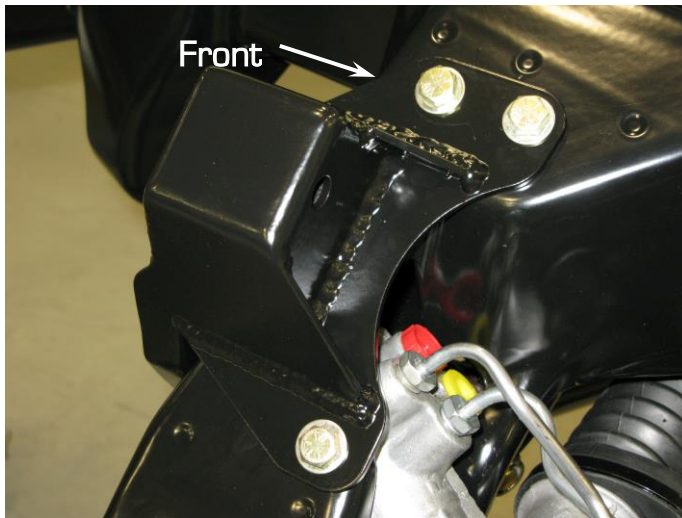
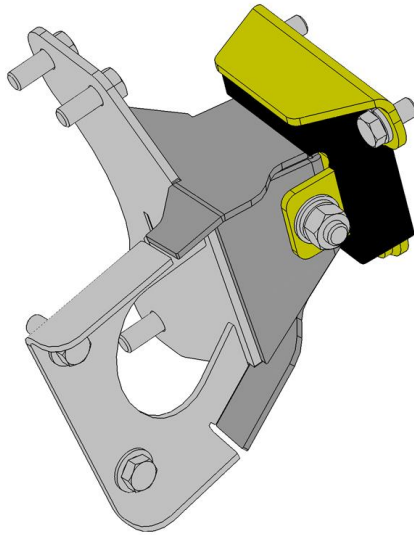


Figure 2 - Engine frame stand attached to the Detroit Speed Hydroformed Subframe, LH

3. Attach the engine to the frame using two 7/16"-14 x 3-3/4" L hex head bolts (#7). Use the provided flat washers (#8), lock washer (#9), and the hex nut (#10) to tighten the engine to the mounts. Torque these bolts to 30 ft/lbs. Figure 3 shows an assembled view.



**Figure 3 - Assembled View**

If you have any questions before or during the installation of this product, please contact Detroit Speed at [tech@detroitsspeed.com](mailto:tech@detroitsspeed.com) or 704.662.3272

**Legal Disclaimer:** *Detroit Speed is not liable for personal, property, legal, or financial damages from the use or misuse of any product we sell. The purchaser is solely responsible for the safety and performance of these products. No warranty is expressed or implied.*