



Detroit Speed
1970-1981 Firebird Pontiac Engine Mount Kit
Detroit Speed Hydroformed Subframe
P/N: 060413DS

The Detroit Speed Pontiac Engine Mount Kit provides an ideal mounting solution for installing a Pontiac engine into the Detroit Speed Hydroformed Subframe for the 1970-1981 Firebird.



Item	Description	Quantity
1	Frame Stand, LH & RH	2
2	3/8" - 16 x 1.0" Hex Head Bolt	10
3	3/8" Flat Washer	10

NOTE: 1967-1969 Pontiac engine mounts are required when installing the Detroit Speed Pontiac Engine Mount Kit in the Detroit Speed Hydroformed Subframe.

Fastener Torque Specifications	
Application	Torque (ft./lbs.)
Engine Mount to Engine Block (Aluminum Block)	25
Engine Mount to Engine Block (Cast Iron Block)	35
Frame Stand to Detroit Speed Hydroformed Subframe	35
Frame Stand to Engine Mount	30

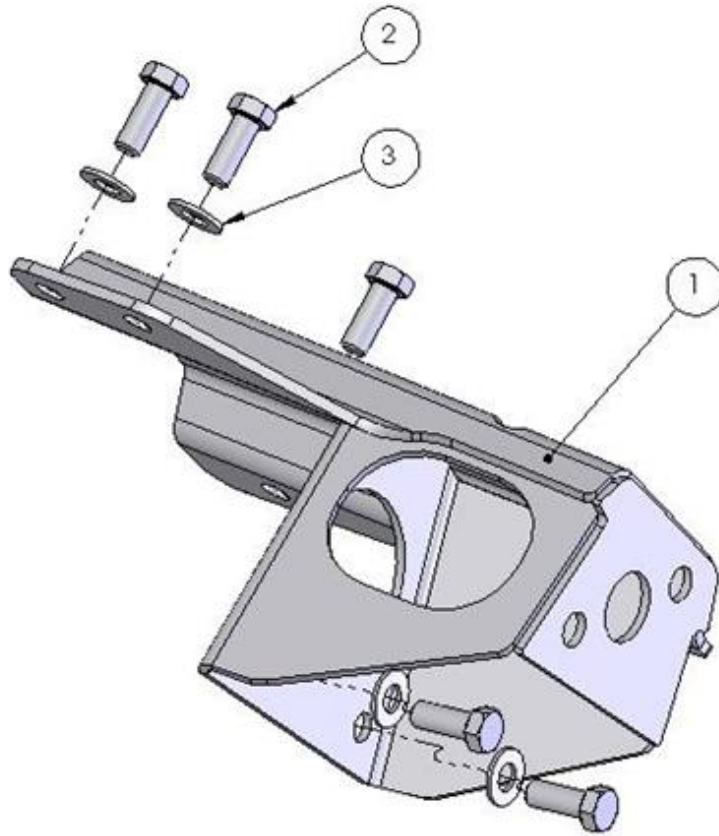


Figure 1 - Exploded View

1. Attach the frame stands to the subframe. Install five 3/8" - 16 x 1" L bolts (#2) along with five 3/8" lock washers (#3) per side. There is a LH and RH stand. Be sure to use High Strength Loctite when installing these bolts. See Figure 2 for an example of how the mounts are oriented on the subframe. Torque the bolts to 35 ft/lbs.

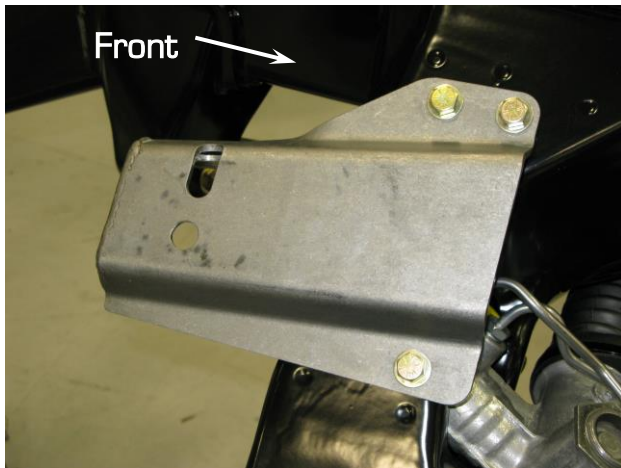


Figure 2 - Engine frame stand attached to the subframe, LH

2. After the installation of the frame stands on the subframe and the engine mounts on the engine, attach the engine to the subframe. Thread the appropriate size nuts onto the engine mount studs and tighten accordingly.

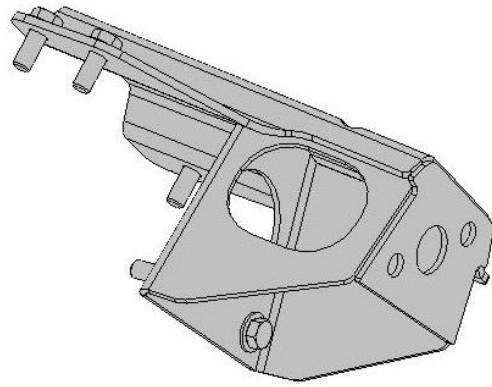


Figure 3 – Assembled View

NOTE: With the Intermediate Shaft installed, make sure there is adequate clearance between the u-joints and the engine adapter plate.

If you have any questions before or during the installation of this product, please contact Detroit Speed at tech@detroitsspeed.com or 704.662.3272