

Classic Update Series

1969 Camaro

START HERE !

PLEASE READ THIS BEFORE STARTING INSTALLATION !

This wiring kit is designed for ease of installation. Please read the guidelines below, BEFORE STARTING your installation, to guarantee a successful job! Use an appropriate crimping tool which folds the crimp wings on the terminals as shown below. Top quality crimping tools are available from American Autowire or American Autowire authorized dealers.

NOTE: ALL TERMINALS THAT YOU INSTALL SHOULD BE PROPERLY SOLDERED.

Our factory terminations are installed by GM approved termination presses, and soldering is not necessary on these terminations.



STEP 1: DISCONNECT YOUR BATTERY:

Disconnect the battery before installing the wiring kit to prevent any accidental shorting caused by loose bare wire ends.

STEP 2: START INSTALLING KIT:

This kit is broken down into individual steps that are identified by a letter printed on the instruction sheets visible through each bag. These letters are the order of operation for installing your kit. Start with the bag letter G. The order of installation is shown below.

G 500775 Dash Harness Kit
H 500776 Instrument Cluster Kit
J 500668 Engine Kit
K 500664 Console Kit
L 500671 Front Light Kit
M 500734 Rear Body Kit
N 500708 Courtesy Light Kit

STEP 3: RECONNECT YOUR BATTERY:

When you have completed the installation and are ready to reconnect the battery, make sure that the following electrical system grounds are in place:

- A. Battery is grounded to the ENGINE BLOCK.
- B. Battery is grounded to the frame.
- C. Engine block is grounded to the frame.
- D. Body is grounded to the frame.

STEP 4: CHECK ALL ELECTRICAL FUNCTIONS:

Any non-functioning items should be checked for proper installation. Any problems with your wiring and electrical circuit functions should be addressed to American Autowire Systems, Inc. as soon as possible to avoid any warranty problems.

If you have any questions concerning this or any of our products, please feel free to call us at 1-800-482-WIRE.

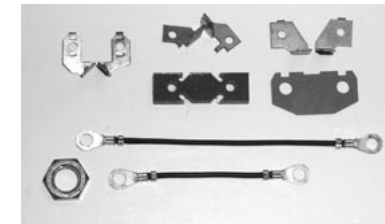
AMERICAN AUTOWIRE MAKES IT EASY !!
page 1

We carry many accessories for your 1969 Camaro

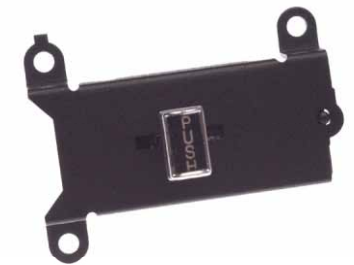
p/n R0067108
OEM style non-stick harness tape



p/n CA82006 (1968-69)
Factory console gauge terminal kit.



p/n 01993464 (1969)
OEM style wiper switch.



p/n 03943657 (1969)
Muncie 4 speed back up lamp switch.



p/n 500523
OEM large terminal and double crimping tool (20-8 gauge).



p/n 500649
Multi-crimp tool (20-14 gauge).

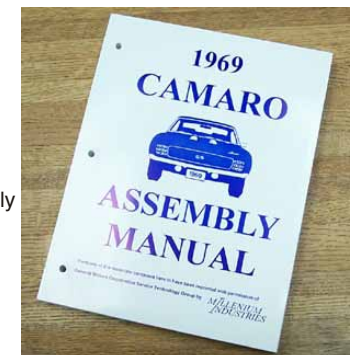


p/n 38131
Breakerless Ignition Module,
GM V-8 POINT CONVERSION KIT



p/n 36280 (1969)

Factory assembly manual.
(It's what they used on the assembly line to build your Camaro!)



**American
Autowire**
800-482-9473

Classic Update
Series
1969 Camaro
500686

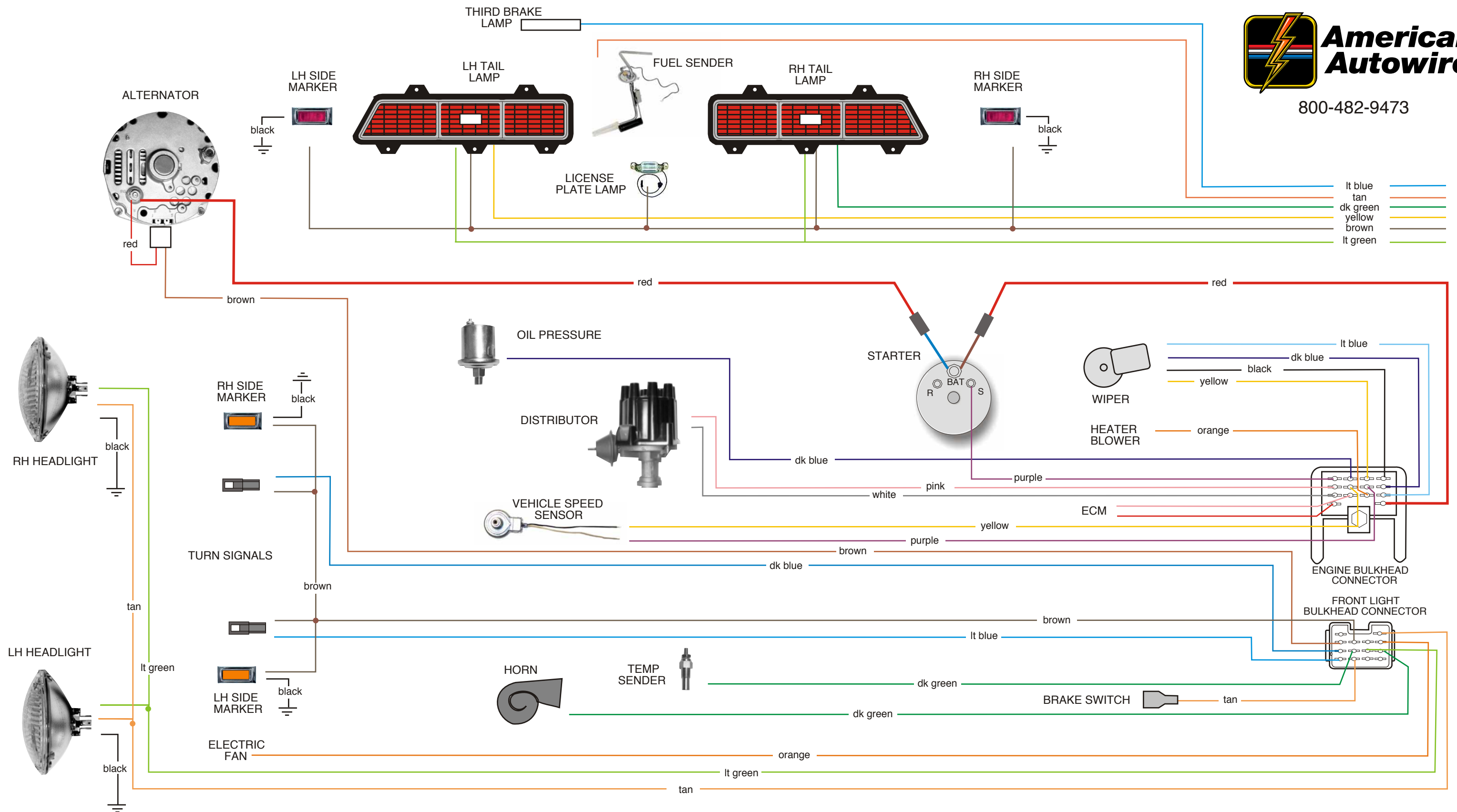
© COPYRIGHT 2004 American Autowire / Factory-Fit
Used with express permission of
American Autowire / Factory-Fit
92966547 instruction sheet rev. 3.0 2/10/2012

Classic Update Series

1969 Camaro



800-482-9473



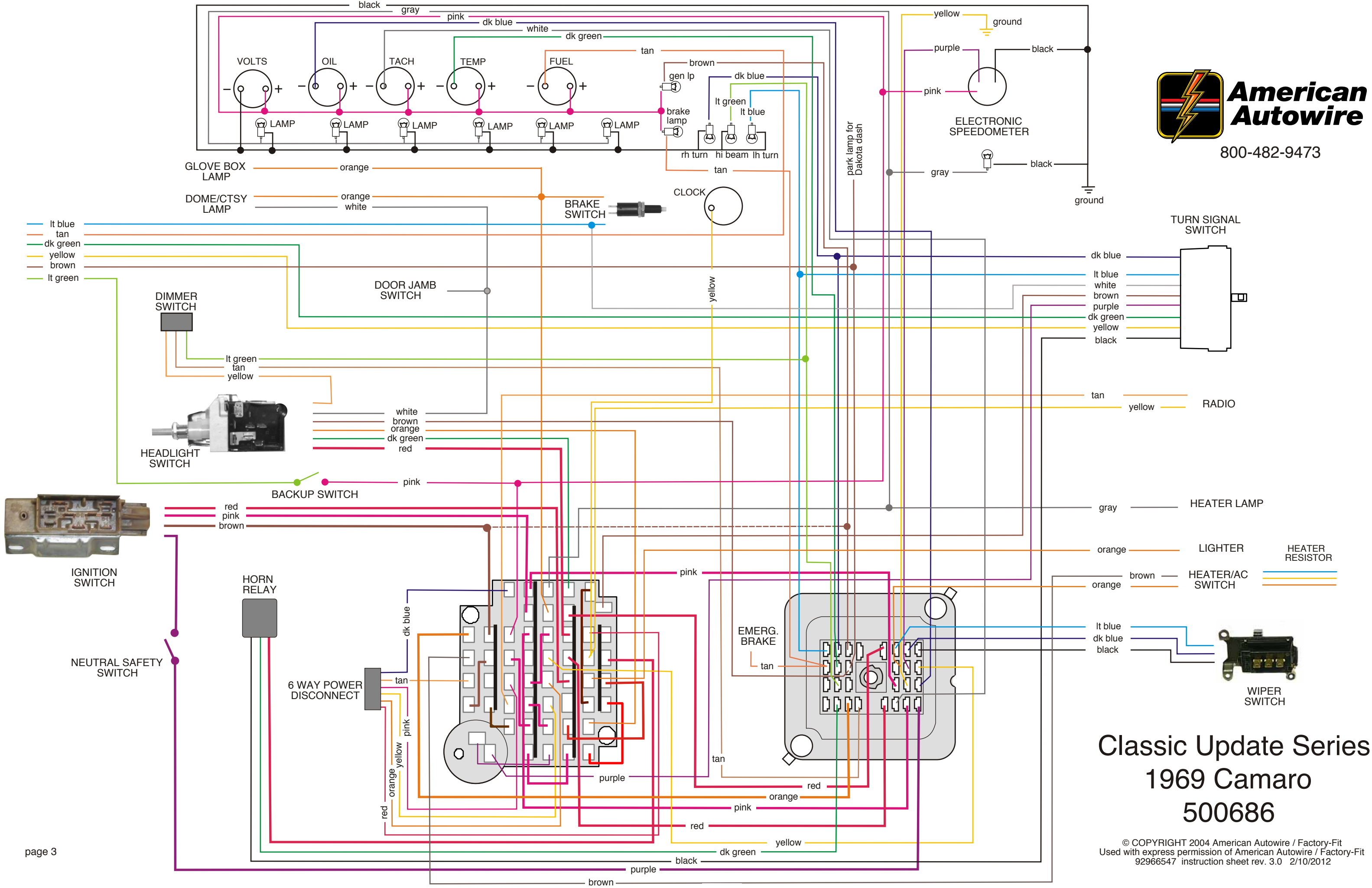
NOTICE: This schematic drawing is for reference only. Do not use the schematic to install this wiring kit! Use the instruction sheets included in each bag, which includes directions for proper terminations, and specific applications (such as Rally Sport).

500686

© COPYRIGHT 2004 American Autowire / Factory-Fit
Used with express permission of American Autowire / Factory-Fit
92966547 instruction sheet rev. 3.0 2/10/2012

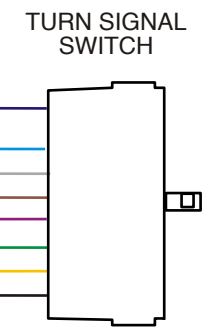


800-482-9473



- lt blue
- tan
- dk green
- yellow
- brown
- lt green

- dk blue
- lt blue
- white
- brown
- purple
- dk green
- yellow
- black
- tan
- yellow
- gray
- orange
- brown
- orange
- lt blue
- dk blue
- black



RADIO

HEATER LAMP

LIGHTER

HEATER/AC SWITCH

HEATER RESISTOR

WIPER SWITCH

Classic Update Series 1969 Camaro 500686

© COPYRIGHT 2004 American Autowire / Factory-Fit
Used with express permission of American Autowire / Factory-Fit
92966547 instruction sheet rev. 3.0 2/10/2012

THIS PAGE HAS BEEN INTENTIONALLY LEFT BLANK

