

Classic Update Series

*** These are special instructions for connecting your wiring system to a stock instrument cluster. ***

(Note: This kit does not support the use of a stock ammeter.)

REFER TO THE ATTACHED DIAGRAMS FOR YOUR APPLICATION YEAR. USE THE ENCLOSED PARTS AND INFORMATION BELOW FOR WIRE TERMINATION AND GAUGE CONNECTION.

NOTE: If you are using aftermarket gauges, follow the instructions from the after market gauge package included in this kit (92965220).

CONNECTOR A

TAN	Brake Warning Lamp	Install components shown on the following sheets, and plug into the brake light hole in cluster. ('67 Chevelle and Nova only).
DK BLUE	Right Turn Indicator	Install components shown on the following sheets, and plug into the right turn indicator hole in the cluster.
LT BLUE	Left Turn Indicator	Install components shown on the following sheets, and plug into the left turn indicator hole in the cluster.
LT GREEN	Hi Beam Indicator Lamp	Install components shown on the following sheets, and plug into the high beam hole in cluster.
TAN	Fuel Gauge	Install components shown on the following sheets, and plug into the fuel gauge.
DK BLUE	Oil Gauge / Lamp	Install components shown on the following sheets, and plug into the oil gauge or lamp.
DK GREEN	Temp Gauge / Lamp	Install components shown on the following sheets, and plug into the temp gauge or lamp.
WHITE	Tach (loose wire)	This wire is used on factory gauge applications. Install components shown on the following sheets, and plug into the tachometer.
BROWN	Generator Lamp (loose wire)	This wire is used on warning lamp applications. This wire is stamped "ALT-IGN". Install components shown on the following sheets, and plug into the generator (alternator) lamp hole in cluster.

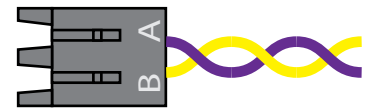
CONNECTOR B

PINK	12V ignition	Install components shown on the following sheets, and connect to gauges or warning lights requiring a 12V ignition feed.
GREY	Instrument Lamps	Install components shown on the following sheets, and plug into the instrument lamps.
BLACK	Ground	Connect to the back of the instrument cluster housing.
BROWN	Dakota Digital only (loose wire)	This wire is stamped "PARK LIGHTS". Use this wire if you are using a Dakota Digital instrument cluster. Connect to "PARK" light location according to manufacturer's instructions, in order to operate dimmer function when headlights are turned on.

CONNECTOR C

This connector is used when using an aftermarket electronic speedometer. Follow the manufacturer's instructions when installing these wires. **Twist these two wires together for their entire length to prevent interference. If you are using the stock speedometer discard this connector.**

YELLOW	Speedo Ground	Connect to VSS "-" on speedometer.
PURPLE	Speedo Signal	Connect to VSS input on speedometer.



CONNECTOR C

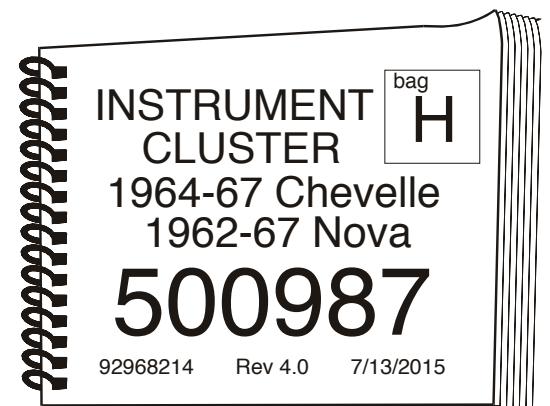
CLOCK EXTENSION

This wire assembly will plug into your factory dash mounted clock.

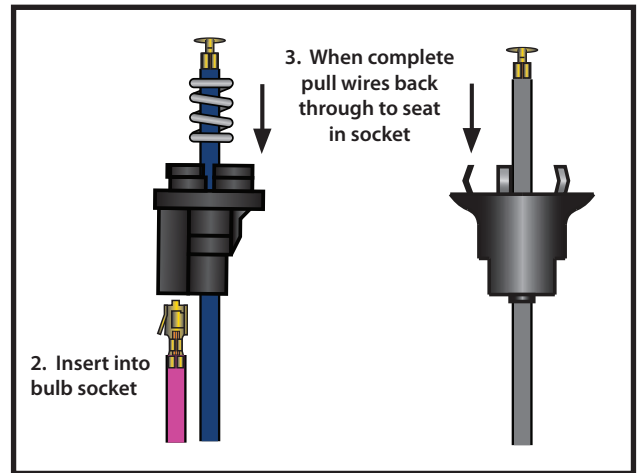
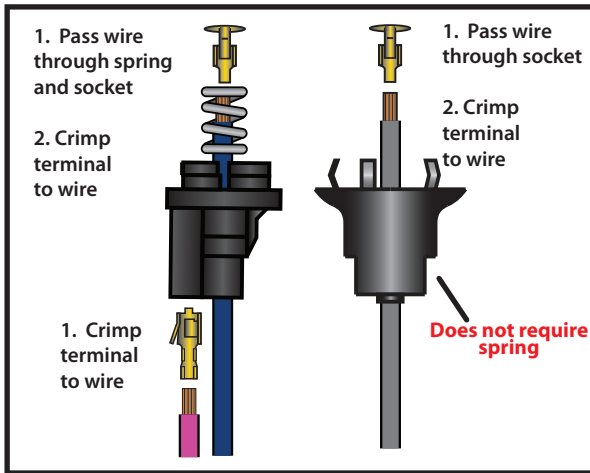
YELLOW	Clock 12V battery power	Connect this wire onto the power stud on the back of your clock and to the Dash harness.
--------	-------------------------	--



www.americanautowire.com 856-933-0801

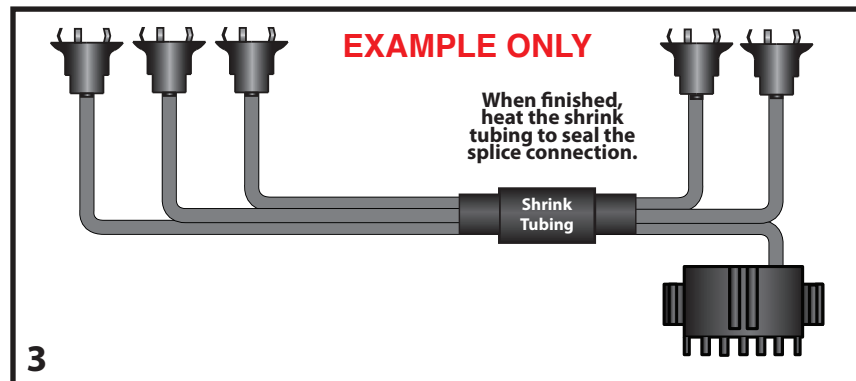
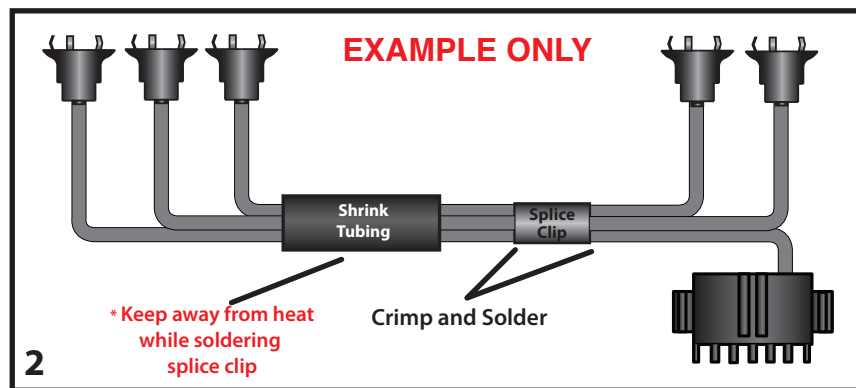
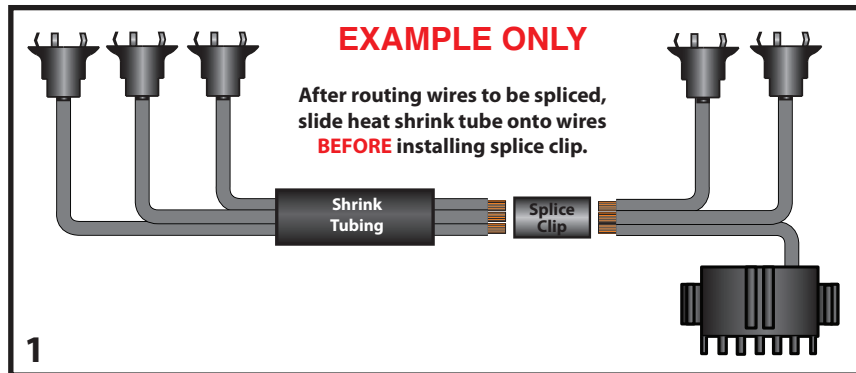


How to install lamp sockets and lamp socket terminals.

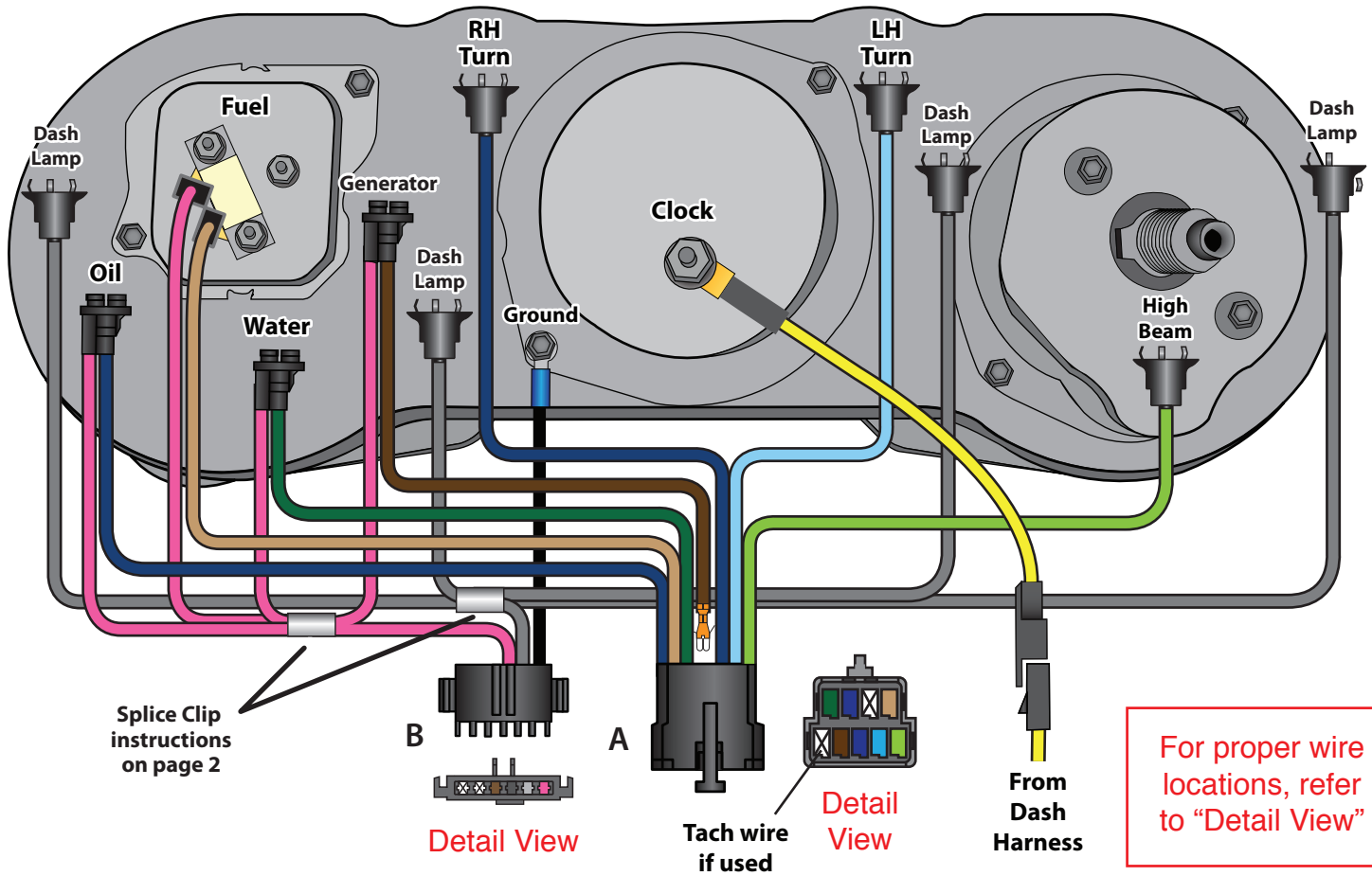


How to use the splice clip to join multiple wires.

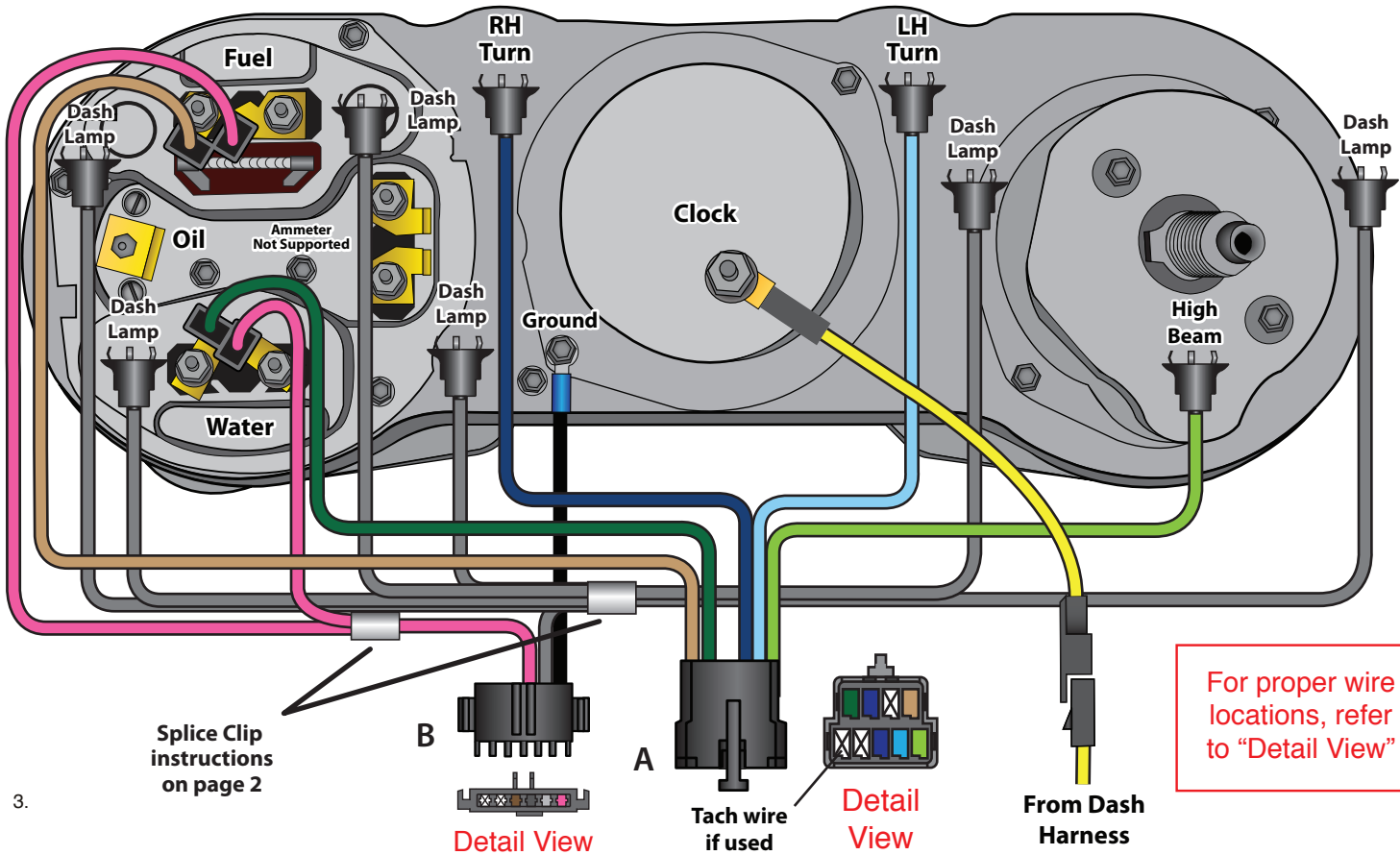
Below is just an **EXAMPLE** of how to use the splice clip and shrink tubing, see your specific application on the following pages for actual splice information.



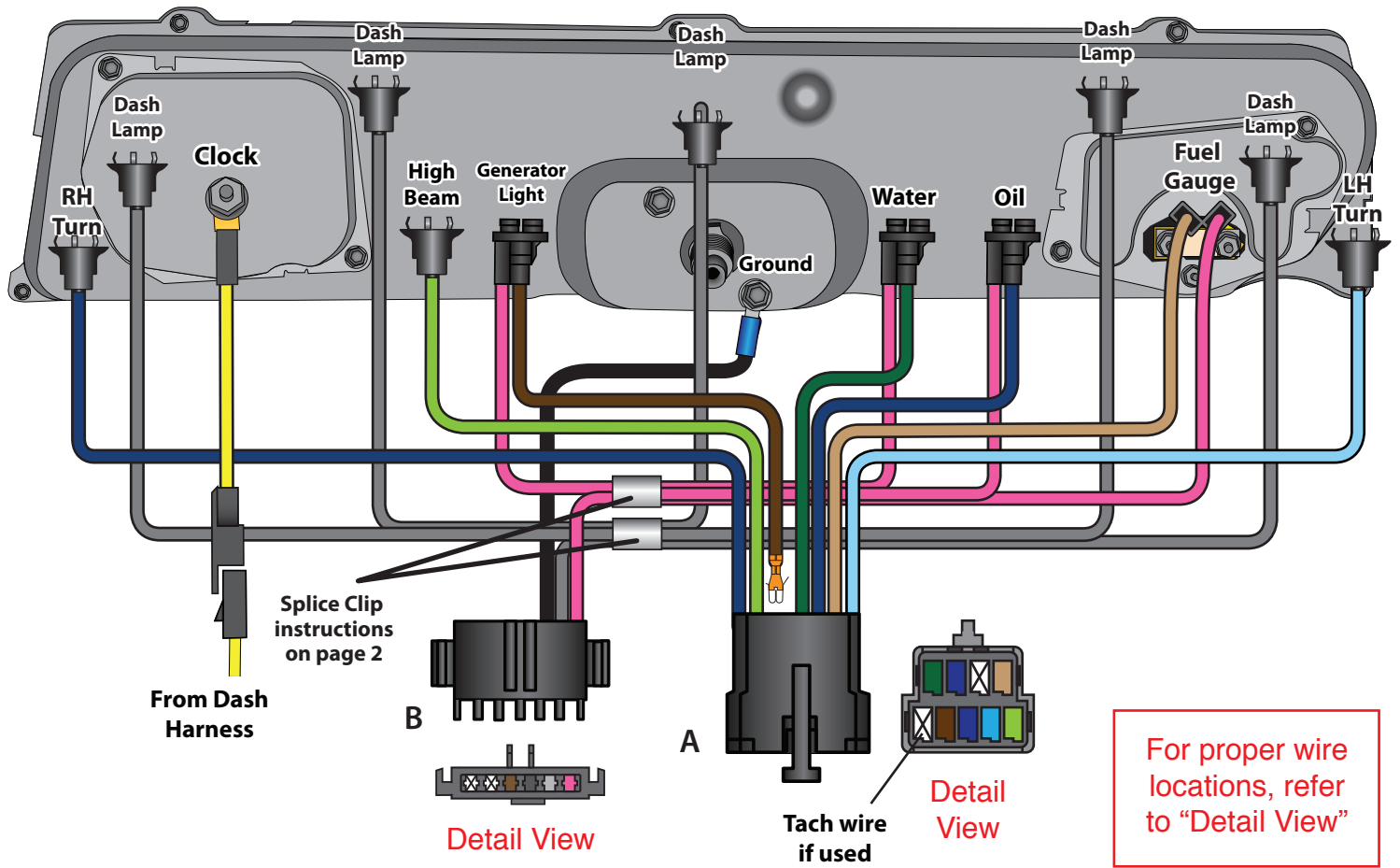
1964-65 Chevelle Warning Light Cluster Connections



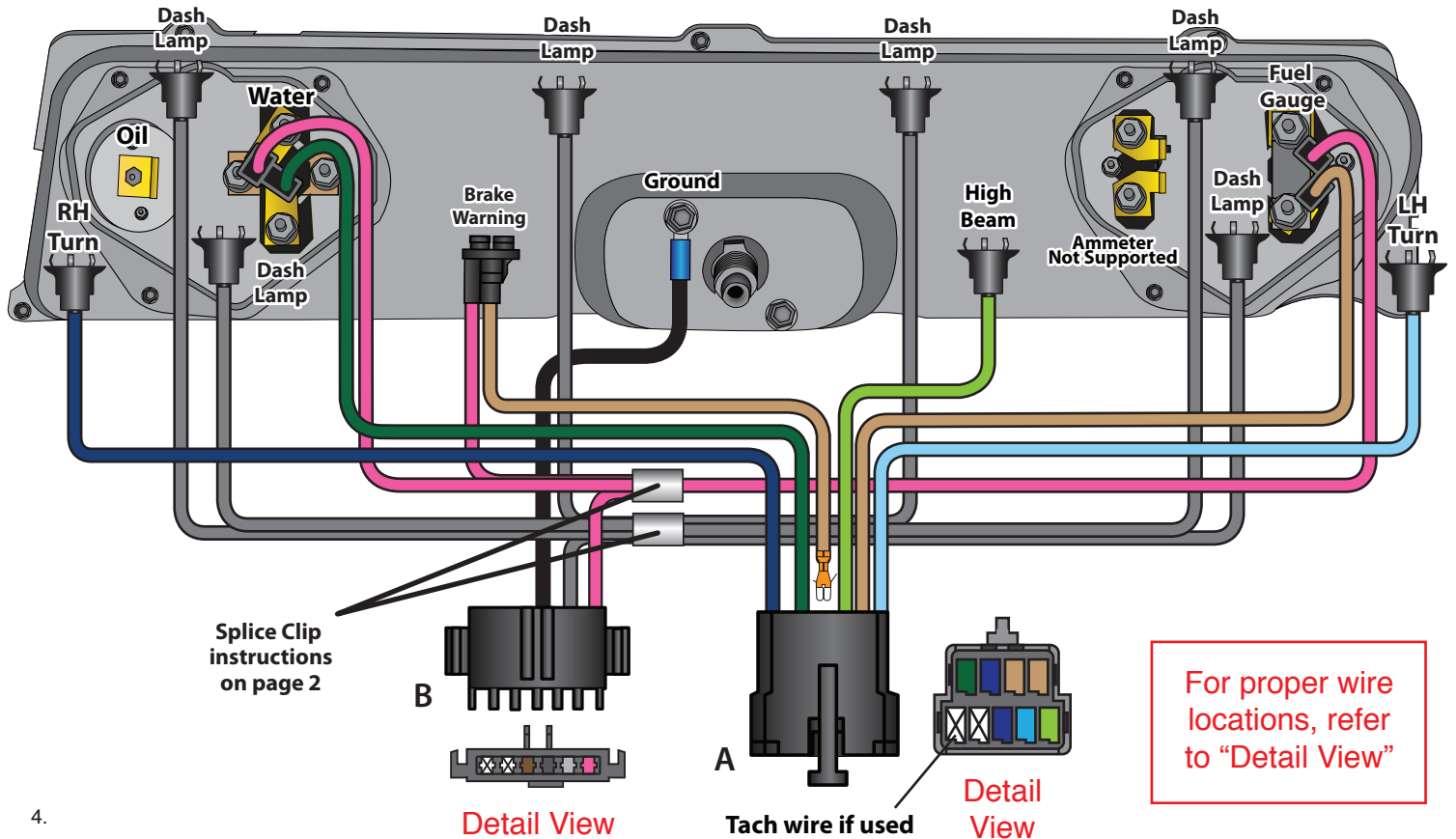
1964-65 Chevelle Gauge Cluster Connections



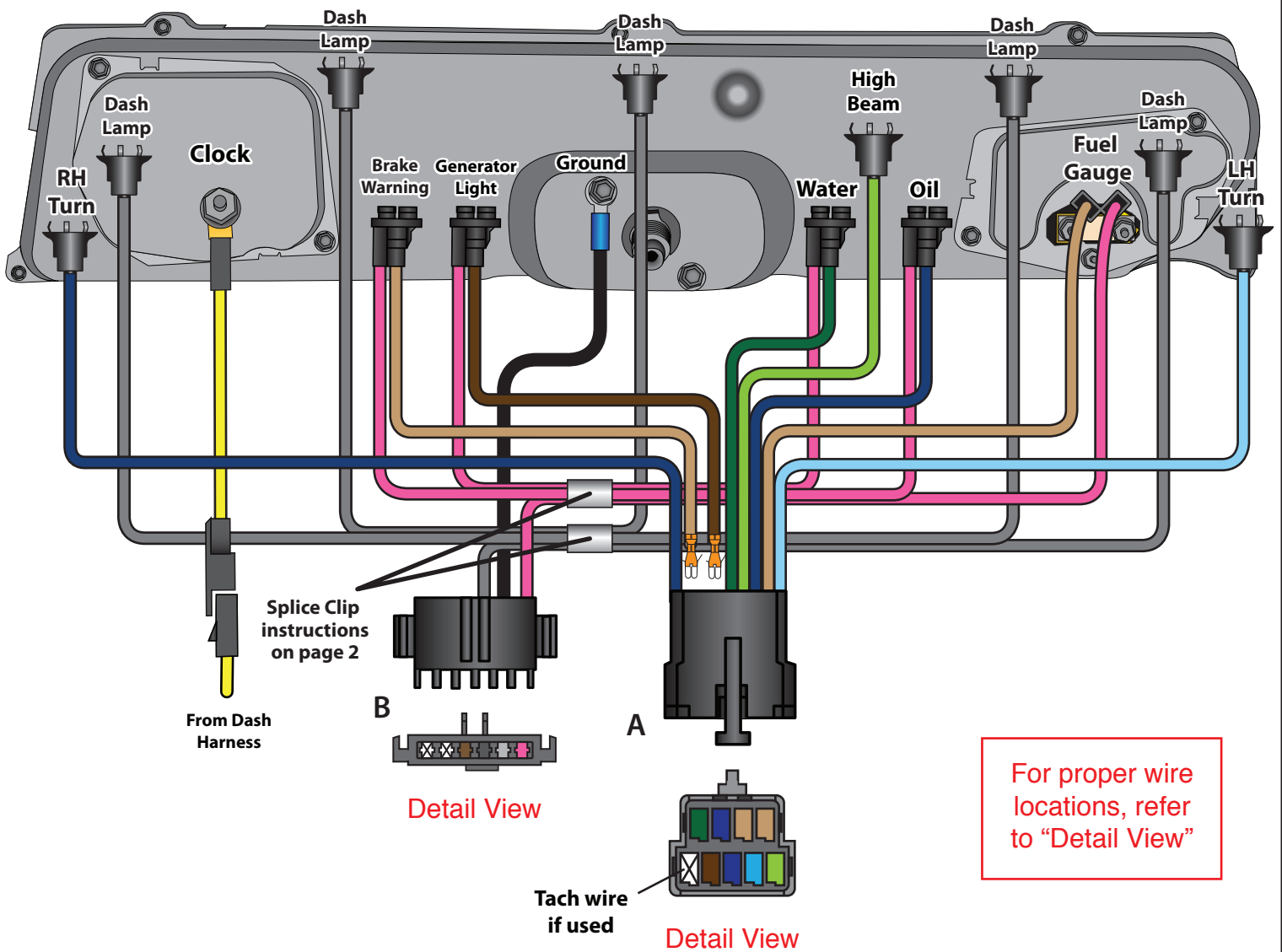
1966 Chevelle Warning Light Cluster Connections



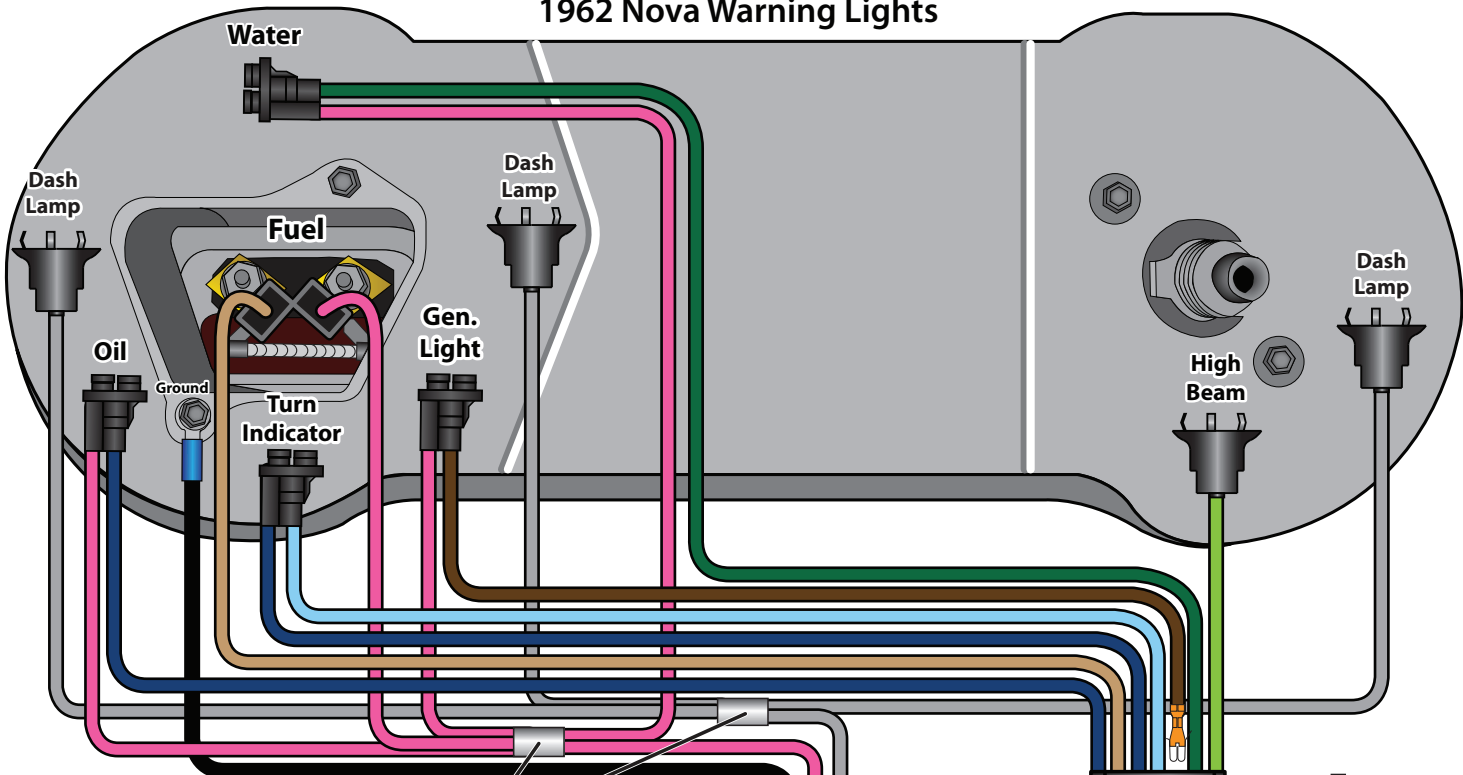
1966-67 Chevelle Gauge Cluster Connections



1967 Chevelle Warning Light Cluster Connections

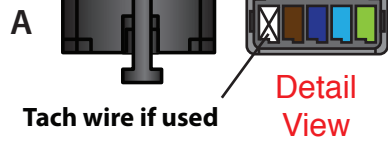
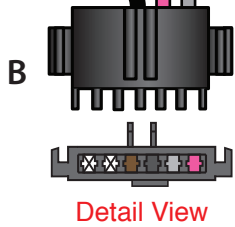


1962 Nova Warning Lights

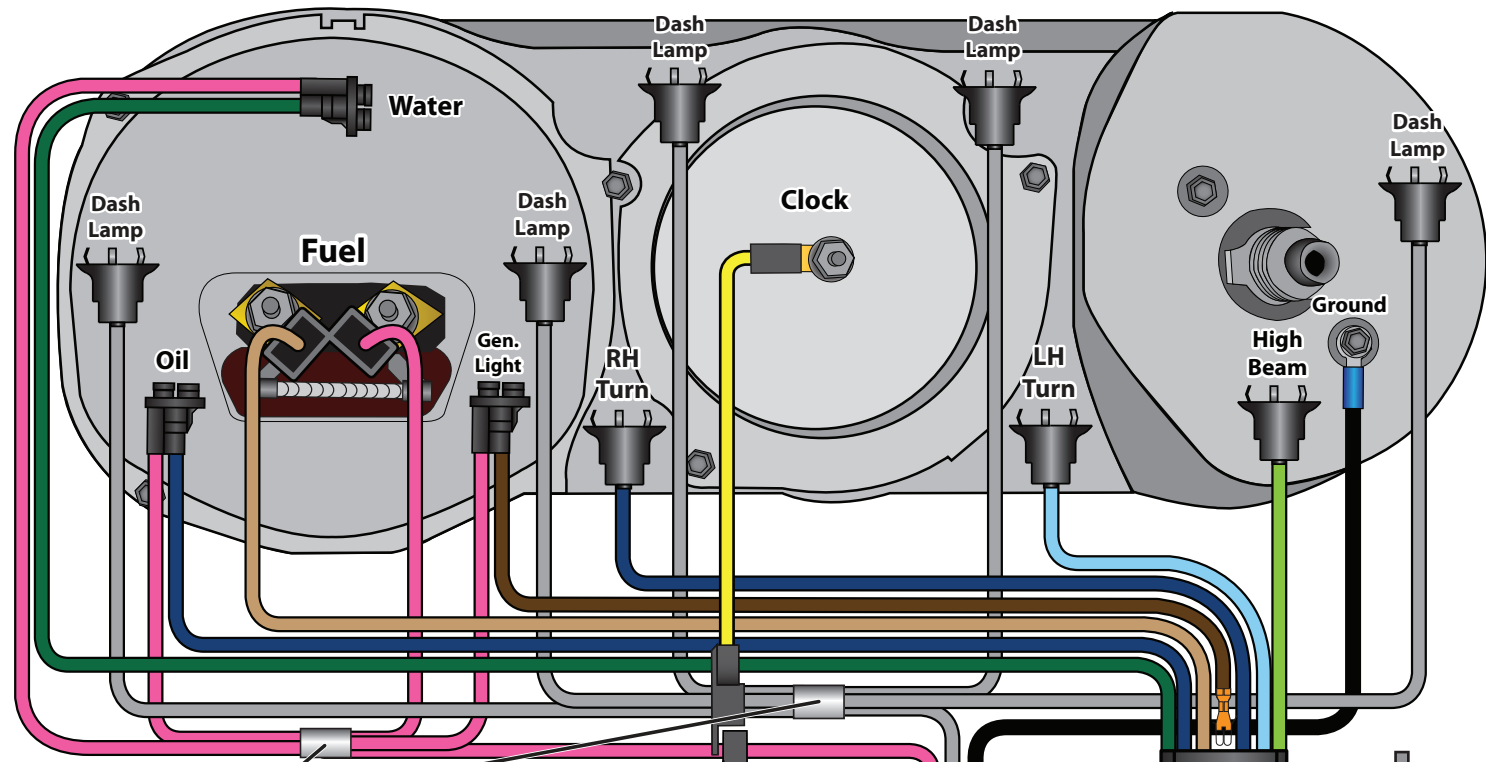


For proper wire locations, refer to "Detail View"

Splice Clip instructions on page 2

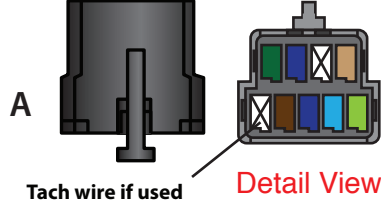
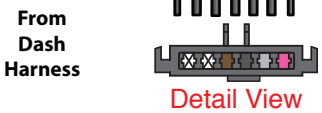


1963-5 Nova Warning Lights

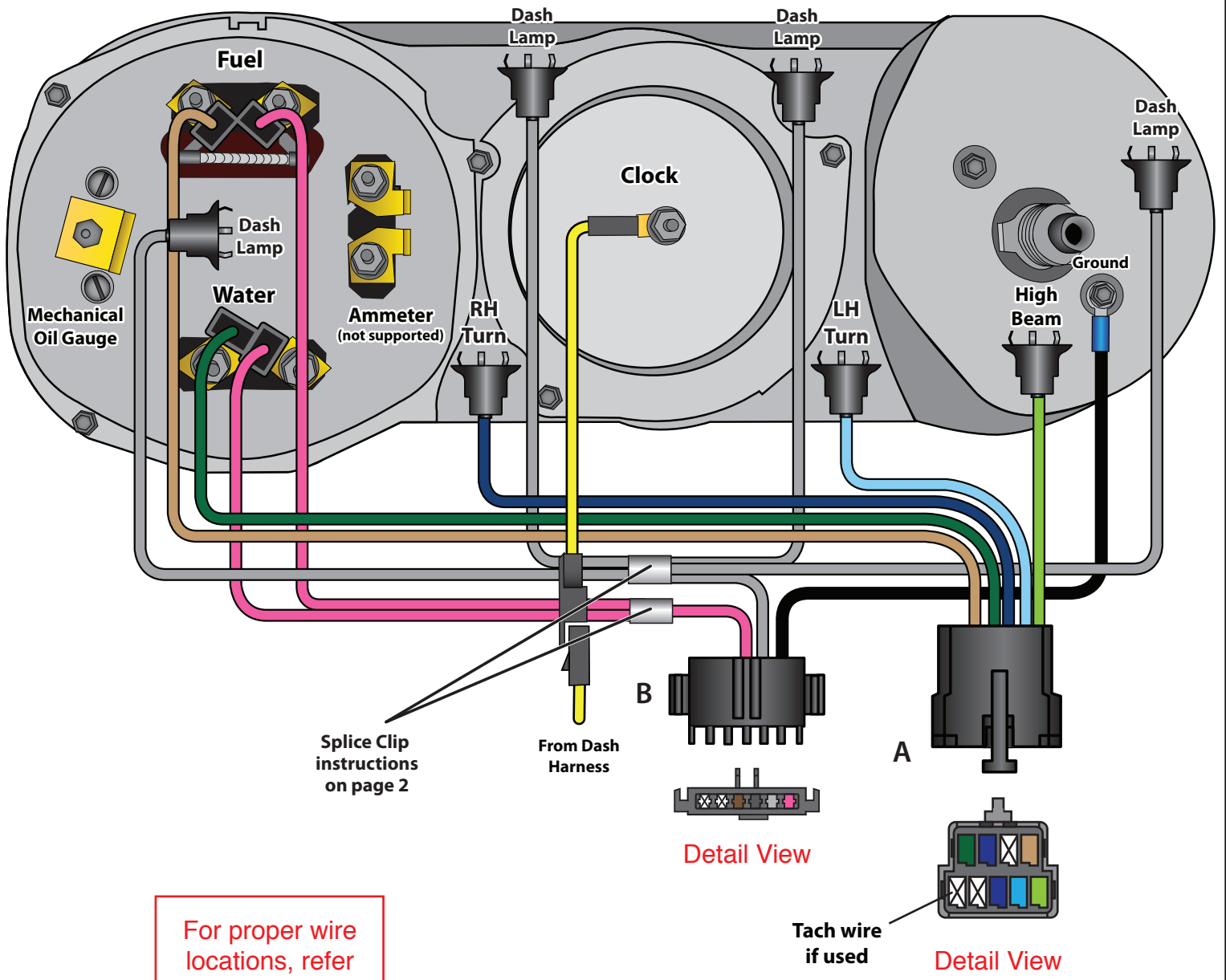


Splice Clip instructions on page 2

For proper wire locations, refer to "Detail View"

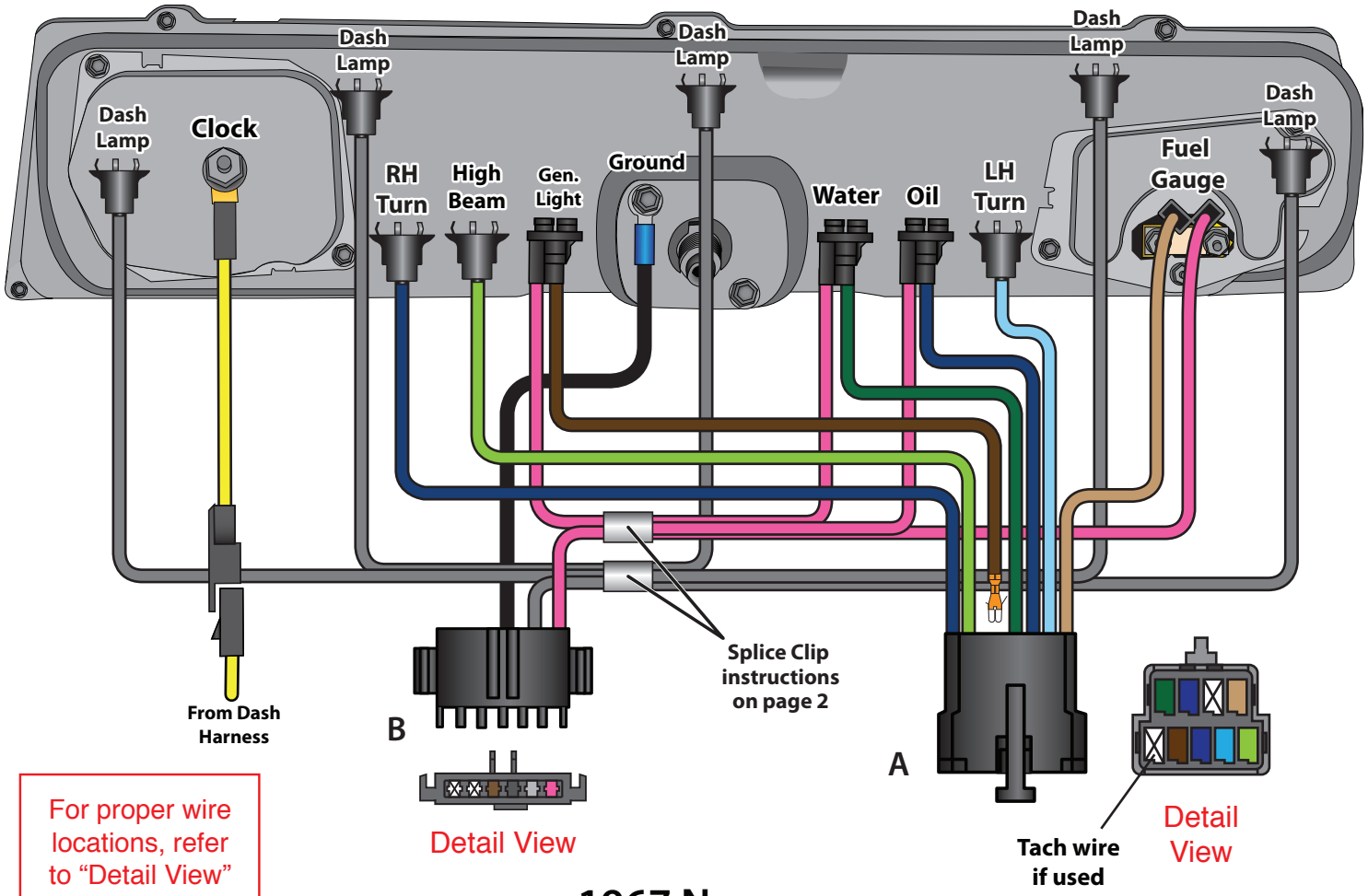


1963-5 Nova Gauges



For proper wire locations, refer to "Detail View"

1966 Nova



1967 Nova

